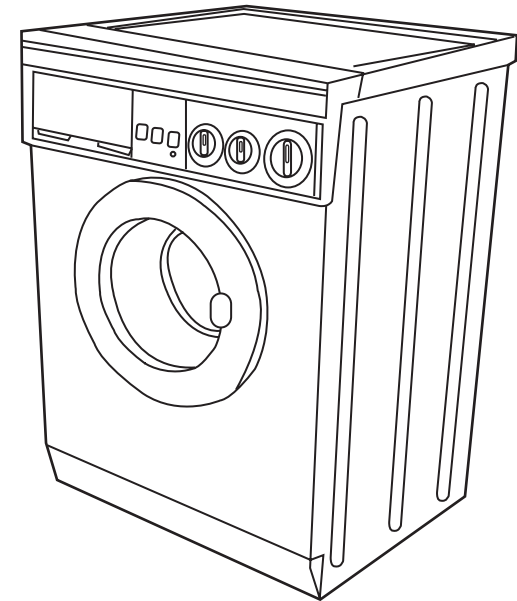


Haier[®]

USE AND CARE GUIDE
COMBINATION WASHING MACHINE AND
DRYER
XQG50-11



0020504007

Contents

Important Safeguards	1-2
Parts	3
Installation Instructions	4-7
Operating Instructions	8-15
Maintenance	16
Troubleshooting	17
Warranty	18-19

IMPORTANT SAFEGUARDS

Read all instructions before using this appliance.

When using this appliance, always exercise basic safety precautions, including the following:

- 1) Use this appliance only for its intended purpose as described in this use and care guide.
- 2) This washing machine must be properly installed in accordance with the installation instructions before it is used. See grounding instructions in the installation section.
- 3) Never unplug the machine by pulling on the power cord. Always grip plug firmly and pull straight out from outlet.
- 4) Repair or replace immediately all electric cords that have become frayed or otherwise damaged. Do not use a cord that shows cracks or abrasion damage along its length or at either the plug or connector end.
- 5) Do not wash articles that have been previously cleaned in, washed in, soaked in, or spotted with gasoline, dry cleaning solvents, other flammable or explosive substances. These substances give off vapors that could ignite or explode. Do not add any of these substances to washing water to aid in cleaning. This could also lead to fire or explosion.
- 6) Do not reach into machine if the tub, agitator, or drum is moving.
- 7) Do not put your hand(s) under the machine during operation. Moving parts may cause injury to your hand(s).
- 8) Do not install or store machine where it will be exposed to weather, direct sunlight, freezing temperatures or near radiator or heat source.

IMPORTANT SAFEGUARDS

- 9) Do not repair or replace any part or attempt any servicing unless it is specifically recommended in this use and care guide.
- 10) Do not overload your electrical outlet. Machine should be plugged directly into wall without the use of outlet strips or multi-plug adapters.

WARRANTY

- Damages from misuse, abuse, accident, alteration, lack of proper care and maintenance or incorrect current or voltage.
- Damages from other than normal household use.
- Damages from service by unauthorized dealer or service center.
- Any transportation and shipping charges.

Labor, service, transportation and shipping charges for the removal of defective part and installation of replacement part beyond the initial 12 months period.

How can you get service?

(1) Contact your nearest Haier® authorized Service Depot. For the name of your nearest authorized Service Depot, contact Haier® at (877) 337-3639.

(2) All service must be performed by a Haier® authorized Service Depot. THIS WARRANTY COVERS UNITS WITHIN THE CONTINENTAL UNITED STATES AND PUERTO RICO AND DOES NOT COVER:

THIS LIMITED WARRANTY IS GIVEN IN LIEU OF ALL OTHER WARRANTIES, EXPRESS OR IMPLIED, INCLUDING THE WARRANTIES OF MERCHANTABILITY AND FITNESS FOR A PARTICULAR USE.

The remedy provided in this warranty is exclusive and is granted in lieu of all other remedies. This warranty does not cover incidental or consequential damages. Some states do not allow the exclusion of incidental or consequential damages, so the above limitation may not apply to you. Some states do not allow limitations on how long an implied warranty lasts, so the above limitation may not apply to you. This warranty gives you special legal rights and you may also have other rights which vary from state to state.

WARRANTY

Large Washing Mahines-IN HOME SERVICE

What is covered and for how long?

This warranty cover all defects in materials and workmanship in me-
chanical and electrical parts (including labor costs) contained in this Haier®
product for a period of 12 months from the date of purchase. For com-
mercial or rental applications, the warranty period is 90 days.

YOU MUST KEEP AND BE ABLE TO PROVIDE YOUR ORIGINAL
SALES SLIP AS PROOF OF THE DATE OF PURCHASE

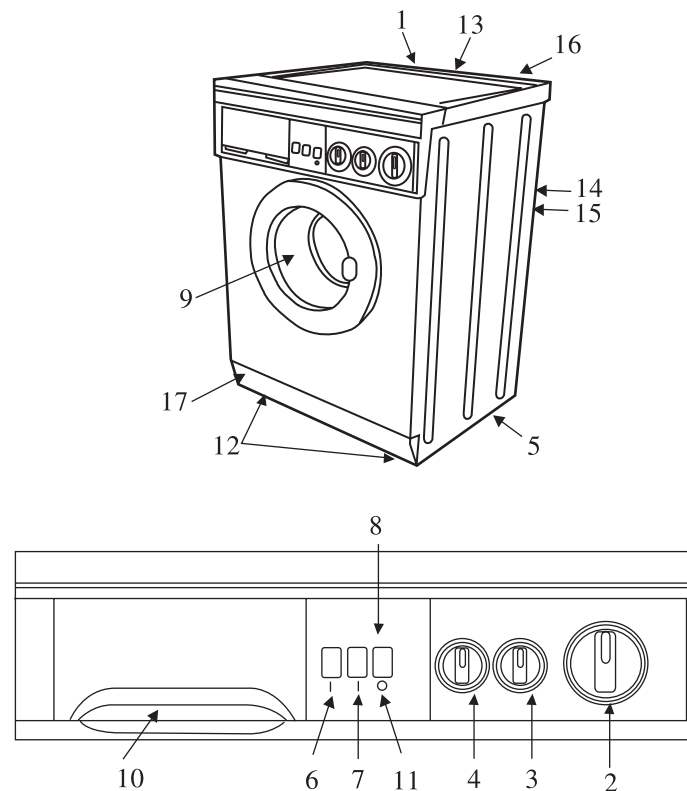
Who is covered?

Haier® will repair or replace (including labor costs) any mechanical or
electrical part which proves defective in normal household use for a
period of 12 months.

- Adjustment of consumer operated controls as explained in the owners
manusl.
- Hoses, knobs, joint parts, lint trays and all attachments, accessories,
and disposable parts.
- Repair of damages from improper installation (unless installed by our
Factory Authorized Service agents).
- Damages in shipping
- Defects other than manufacturing defects.

PARTS

1. Water Supply Taps(Rear of Unit)
2. Cycle Selector Knob
3. Dryer Selector Knob
4. Delay Start Knob
5. Adjustable Legs
6. Water Saver Button
7. No Spin Button
8. On/Off Button
9. Inner Tub
10. Detergent/Bleach/Softener Compartment
11. On/Off Indicator Light
12. Front Adjustable Legs
13. Water Inlet Hose
14. Power Cord
15. Drain Hose
16. Drain Hose Clamp
17. Foot Castors



INSTALLATION INSTRUCTIONS

1. ELECTRICAL CONNECTION

Important-for personal safety, this appliance must be
Properly grounded.

In the event of an electrical short circuit, grounding reduces the risk of electric shock by providing an escape wire for the electric current. This appliance is equipped with a cord having a into an outlet that is properly installed and grounded. Consult a qualified electrician or service center if the grounding whether the appliance is properly grounded, have a qualified electrician check the circuit to make sure the outlet is properly ground.

Do not under any circumstances, cut or remove the third (ground) prong from the plug.

IMPORTANT: To avoid possible problems, please try to keep water and wet laundry away from control panel and knobs.

USE OF EXTENSION CORDS

Avoid use of extension cords because of potential safety hazards under certain conditions. If it is necessary to use an extension cord, use only a 3-wire extension cord that has a 3-blade grounding plug and a 3 slot wall outlet that will accept the plug.

The marked rating of the extension cord must be equal to or greater than the electrical rating of the appliance.

TROUBLESHOOTING GUIDE

Problem	Check	Solution
Machine won't work	Power cord	Make sure cord is securely plugged in & circuit breaker is not blown
After wash & rinse, machine won't spin	Is lid closed securely?	Close lid securely
Machine won't Drain	Drain hose	Ensure hose is not crimped, crushed or blocked-up
Machine vibrates and rocks around	Level & balance load	Open lid and balance clothes in machine. level machine by adjusting front leveling legs. Ensure the transit bolts have been removed
Machine stops in middle of spin cycle	Level & balance load	Open lid and balance clothes in machine. Level machine by adjusting front leveling legs
The machine makes excessive noise	Level & balance load	Open lid and balance clothes in machine. Level machine by adjusting front leveling legs
Water leaking	Connections	Did you insert appropriate washers?
Spin cycle starts and stops	Level & balance load	Machine is programmed to do this to balance load. You may want to balance load yourself.
There is too much foam in the tub	Amount of detergent used	Front load machines use less detergent than conventional machines. Next time use less detergent or try a low sudsing detergent. Over time you will know proper amount of detergent to use.
The dryer is not drying	Check spin button	Ensure the door is properly closed, the "Cycle Selector Knob" is in position and the "Dryer Selector Knob" is not set to "o".
The dryer is not drying efficiently		Ensure the free end of drain hose is not submerged. Ensure the filter is clean (do not remove filter while machine is running). Did you overload machine? Did you set drying time for at least 20 minutes?

MAINTENANCE

1. Button Trap-Important: Make Sure Trap is Tightly Secured and Do Not Remove During Operation. Failure To Do So Will Result In Severe Leakage.

2. Detergent Dispenser Compartment

Over time the "Detergent Dispenser Compartment" can accumulate dried detergent, dirt and debris. The "Detergent Dispenser Compartment" has a removable insert. Periodically, remove the insert and rinse it out in the sink and remove debris with a soft brush or fast running water.

3. Cleaning The Cabinet

Periodically clean the cabinet with a soft cloth and mild detergent. Do not use thinners, gasoline or other strong solvents.

Trouble Shooting

Sometimes your machine won't function properly. Often this is due to something simple and it usually can be rectified easily. The chart on the following page illustrates potential problems and their solutions.

If you have tried the remedies listed in the chart and if your machine still functions improperly. Please call our customer service hotline for assistance at 1-877-337-3639.

Do not attempt to service the machine yourself.

INSTALLATION INSTRUCTIONS

2. Location

- (A) Place unit in a dry spot, out of sunlight.
- (B) Do not place in location subject to freezing temperatures.
- (C) Install on a firm, level surface.
- (D) Do not install on carpeting. Air must circulate under unit.

3. IMPORTANT-Remove Transportation Bolts & Bracket

This machine was shipped with bolts and a metal bracket installed to protect drum and internal components from damage during shipping. These bolts & bracket MUST be removed prior to use (wrench is included in instruction bag). Please refer to figure 1 below for location of transportation bolts. Once removed, plug open bolt holes with plastic plugs (included with instruction manual bag).

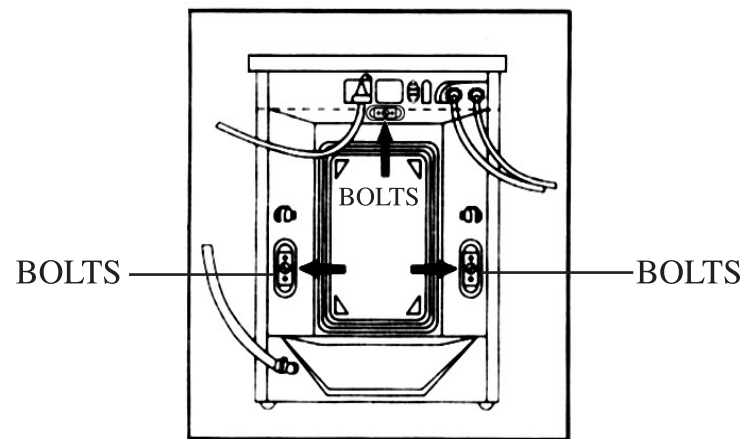


ILLUSTRATION 1

INSTALLATION INSTRUCTIONS

4. Connecting Water Supply

Insert stainless steel screen washers into end of each supply hose and attach that end of supply hose to your 3/4" water tap spigot (see illustration 2). Be sure that you match up cold water to "C" and hot to "H". Note: Home Centers also have "Y" connectors and "Couplings" which enable you to connect the machine to your sinks faucet)

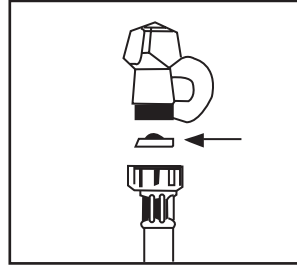


ILLUSTRATION 2

5. Connecting Drain/Waste Hose

The drain hose must be placed into a drain pipe of at least 1 1/2" in diameter or drain into a sink. Use the "goose neck" to hold hose in place. To avoid possible water back-up, the drain hose must reach a minimum height of at least 31 1/2" and a recommended maximum height of 40". If drain/sink is less than 37 1/2", route the drain hose through the clip on the back of the machine (see illustration 3).

Note: The first time you use your machine, inspect carefully for leaks. If a leak occurs, double check your connections and if necessary, call our service hotline for assistance.

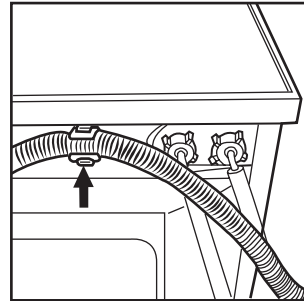


ILLUSTRATION 3

OPERATING INSTRUCTIONS

- G. Wash and dry sequence will automatically commence.
- H. If you selected the Wool cycle or the Synthetic cycle without auto dry, machine will stop at "Soak" position. You must either **Drain Only**. Prevent spinning by pressing the On/Off switch, advance the "Cycle Selector Knob" to "Drain" and again press the "On/Off" switch. OR **Drain and Spin**. Press the On/Off switch, advance the "Cycle Selector Knob" to "Spin" and again press the "On/Off" switch.
- I. When wash and dry cycles are complete, the machine will shut off. At this time turn off the machine by pushing the "On/Off" button.
- J. Remove garments from machine.
- Note that if "Spin Cancel" is selected, machine will not automatically advance to dryer function.
- The dryer function does not engage after the wool cycle.

OPERATING INSTRUCTIONS

For heavy garments (like jeans and towels) and full loads, you will probably want to set the "Dryer Selector Knob" to 120 minutes on "High" For extremely heavy loads and to expedite drying time, you may want to remove half the load and dry each half independently. For less than full loads, you may want to reduce drying time.

For lighter garments such as bed sheets, skirts, socks, etc., you may want to set the "Dryer Selector Knob" to 60-80 minutes on "Low" power. For very light garments such as stockings, nylon materials and other light materials, you may want to set the "Dryer Selector Knob" to 40-50 minutes on "Low" power.

Over time you will become familiar with your machine and its operation. You will discover the optimum drying times for the garments you wash most.

At the end of dry cycle, press " On/Off " button to shut off machine.

Operation Sequence:

- A. Load garments into machine.
- B. Decide if water saver is desired and select accordingly.
- C. Turn "Cycle Selector Knob" clockwise to desired wash cycle.
- D. Add prewash detergent, laundry detergent or bleach as desired.
- E. Determine if you want dryer to automatically start after wash cycle. If so, turn "Dryer Selector Knob" to desired power level (High or Low) and to desired dry time. Note that automatic dryer start only works with the Cotton and Synthetic cycles.
- F. Push On/Off button.

INSTALLATION INSTRUCTIONS

6. Level Machine

Place machine at desired location. Use a carpenter's level to check machine for level. Machine must be level to prevent excess vibration, noise and malfunction. To level machine, adjust all 4 leveling legs on bottom of machine. Use the wrench from instruction bag to adjust feet (see illustration 4).

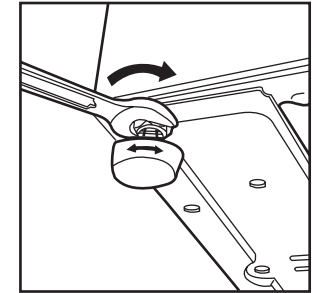


ILLUSTRATION 4

7. In case needing to move the unit, please use the castors at the bottom.



Contents: Due to the heavy dead weight of the machine, a rather strong rebound force occurs when restoring the handle back. Please be sure to keep your hands away from the inside of the handle when the handle returned back, otherwise, your hands will be hurt by it.

OPERATING INSTRUCTIONS

1. Know Your Machine

This front load washing machine is probably different than machines you have used in the past. It uses less water and requires less detergent. Follow directions on detergent packaging. We recommend low sudsing detergent. You will probably use the machine several times before you find the perfect amount of detergent needed for the amount of clothes you wash.

2. Detergent Compartments

The detergent compartment has 4 separate chambers marked "1", "2", "A" and "C". "1" is for pre-wash detergent, "2" is for wash detergent, "A" is for fabric softener, starch or scents. "C" is for bleach.

You can load bleach, pre-wash and wash detergents into compartments prior to starting machine. Note: do not use liquid detergent for Prewash. Fabric softeners can only be added during the final rinsing cycle. Do not put bleach in any compartment other than "C".

Front load machines use less water and require less detergent. The tumbling action more effectively mixes clothes and consequently creates more sudsing. We recommend a low sudsing detergent for best results. To determine amount of detergent, use directions recommended on package as a guide.

If you use regular detergent, USE Less than recommend amounts. Over time you will determine the amount right for you.

OPERATING INSTRUCTIONS

Automatic Operation: (dryer comes on automatically after wash cycle)

For automatic operation, simply set the "Dryer Selector Knob" to the desired drying time ("Low" or "High" power) prior to the beginning of the wash cycle. The dryer will automatically come on after wash cycle.

Note: dryer will not come on automatically after the wool cycle or after any cycle if the "Spin cancel" Button is depressed.

Understanding Dryer Operation:

Your dryer is unlike other dryers you may have used in the past. It operates on 110V current and does not require venting.

110 volt current means it takes somewhat longer for clothes to dry. Laundromat and large household machines operate on 220 volt current which supplies more electricity and allows faster drying. 220 volt circuits require an electrician to install and some apartments or homes do not have, or allow this costly installation. The fact that your unit doesn't require venting, allows you to place the machine in an apartment or a spot in your home away from windows or outside walls. The evaporating water from your clothes is condensed by the machine and drained in the form of water out the machine's drain hose. To accomplish this, the machine does require small amounts of fresh water during the dry cycle. The water needed is automatically fed to the machine from supply hoses. There is nothing for you to adjust or add, but you may hear the machine drawing water during the dry cycle.

Suggested Drying Times:

OPERATING INSTRUCTIONS

You must either:

A) Drain Only. Prevent spinning by pressing the On/Off switch, advance the "Cycle Selector Knob" to "Drain" and again press the "On/Off" switch.

B) Drain and Spin. Press the On/Off switch, advance the "Cycle Selector Knob" to "Spin" and again press the "On/Off" switch.

Please note that if you press the "Spin Cancel" button before starting the Wool cycle, the machine will automatically drain and shut-off. Here you do not have to touch the control panel.

The machine will not automatically switch over to the dryer function.

Dryer Operation:

The clothes dryer can be set to turn on automatically after the cotton and synthetic cycles (provided you did not push the "No Spin" button).

The dryer will not come on automatically after the Wool cycle.

The dryer can also be turned on manually at any time.

The dryer has two settings "High" temperature setting with a 120 minute timer and "Low" temperature setting with a 80 minute timer.

Manual Operation:

To manually operate dryer, simply load machine with wet clothes, turn the "Dryer Selector Knob" to the desired dry time (select either the "Low" or "High" power timer) and push the "On/Off" button. Please note that the "Cycle Selector" switch must be in the "Dry/Off" position.

OPERATING INSTRUCTIONS

3. Water Level Selection (push button in for "on", out for "off")

If you are only washing a small or medium load, you may want to push the "Save Water" Button. This reduces the water used in the rinse cycle.

4. Water Temperature

The water temperature is automatically set according to the cycle you select.

Within the Cotton cycle, if you select "Prewash" cold water is used. "Heavy" utilizes hot, "Normal" utilizes warm and "Light" use cold water. Within the synthetic cycle: "Heavy" utilizes warm water. "Normal" and "Light" utilize cold water.

In the Wool cycle, cold water is used.

5. Spin cycle

The spin cycle can sometimes be rough on delicate garments. The spin cycle also causes creasing to some garments. You can prevent the spin cycle by depressing the "No spin" Button.

When "No spin" Button is selected the machine will not automatically go to the dry function.

6. Selecting Wash Cycle and "Cycle Selector Knob" (Note: Always Turn Knob Clockwise)

Please notice that the "Cycle Selector Knob" has different settings to accommodate your laundering needs.

7. Delay Start Knob

Turn this knob to preset a delay time within a range of 0-12 hours. This function is used before washing as needed. After selection of a delay time, press the power button, the power indicator line, the delay time ends and the machine starts and enters the washing period.

This knob can be turned any times during the start delay period to change the delay time.

Important: If you want to select a delay time less than one hour in the use of this start delay function, you should first turn the knob clockwise to make the indicator line point to a position beyond the position "I" on the dial, and then slowly turn it back to the position of a time you need, otherwise the delay start function will not work.

OPERATING INSTRUCTIONS

Cotton Cycle:

The most often used cycle is the Cotton cycle. For hot water and heavily soiled garments, turn " Cycle Selector Knob" clockwise to the " Heavy" Position (within the " Cotton" cycle). Optimum cleaning results from a combination of time and temperature. Set on heavy, the machine was designed to run for 120 minutes.

For most of your laundering and for warm water, turn the " Cycle Selector Knob" clockwise to the " Normal" position. The normal wash time is close to 80 minutes.

For lightly soiled garments and cold water useage, turn the " Cycle Selector Knob" clockwise to the " light" position. Expect 60 minute wash time.

For extreamly soiled garments, some people like to utilize a prewash cycle. This is accomplished by setting the "Cycle Selector Knob" to "Prewash". The machine will prewash in cold water and then go through the " Heavy", "Normal" and" Light" wash cycles. Please note that if you press the " Spin cancel" button, the machine will drain and switch off after the wash cycle, it will not spin or advance to the dry cycle.

Synthetic Cycle:

For a quicker and more gentle cycle, the Synthetic cycle is available to you. For heavily soiled garments, turn the "Cycle Selector Knob" clockwise to the " Heavy" position within the Synthetic cycle. Warm water will be used at this setting. This cycle lasts approximately 59 minutes.

Most often you will utilize the " Normal" setting within the Synthetic cycle. Here cold water will be used and the cycle lasts appx. 42 minutes.

OPERATING INSTRUCTIONS

For lightly soiled garments set the " Cycle Selector Knob" to "Light". Cold water will be used at this position. Expect 33 minute wash time. If you set the machine to automatically dry after the wash cycle, the machine will wash and then dry without interruption. However if you press the " Spin cancel" button the machine will drain and shut-off after the wash cycle is complete. **It will not spin or advance to the dry cycle.** If you do not set the machine for automatic drying and do not depress the "No Spin " Button after the wash portion of the cycle is complete the machine will stop.

You must either:

- A) Drain Only. Prevent spinning by pressing the On/Off switch, advance the " Cycle Selector Knob" to " Drain" and again press the "On/Off" switch.
- B) Drain and Spin. Press the On/Off switch, advance the "Cycle Selector Knob" to " Spin" and again press the " On/Off" switch.

Wool or Delicate Cycle:

The Wool or Delicate cycle is the quickest of all three cycles. It utilizes cold water and has slower spin and agitation speeds. The entire cycle lasts approximately 32 minutes.

When washing very delicate garments, you may not want to utilize the spin portion of the cycle. Spinning can sometimes be rough on delicate garments and cause creasing. After the wash portion of the cycle is complete (at" Soak" indication on control panel) the machine will stop.