



Haier

ROOM AIR CONDITIONER

Use & Care Guide

ACONDICIONADOR DE AIRE PARA HABITACIÓN

Manual de Uso y Cuidado

CLIMATISEUR DE PIÈCE

Guide d'utilisation et d'entretien



Model:

ESA406K ESA406K-L ESA406K-T
ESA408K ESA408K-L ESA408K-T
ESA410K ESA410K-L ESA410K-T
ESA412K ESA412K-L ESA410K-E

For questions about features, operation/performance, parts, accessories or service call: 1-877-337-3639

Si tiene preguntas respecto a las características, funcionamiento, rendimiento, partes, accesorios o servicio técnico, llame al: 1-877-337-3639

Au Canada, pour assistance, installation ou service, composez le : 1-877-337-3639

No.0010529626

TABLE OF CONTENTS

AIR CONDITIONER SAFETY	3	Using the Remote Control.....	11
INSTALLATION REQUIREMENTS	3	Changing Air Direction	12
Tools and Parts	3	Normal Sounds.....	12
Location Requirements	4	AIR CONDITIONER CARE	12
Electrical Requirements	4	Cleaning the Air Filter	12
INSTALLATION INSTRUCTIONS	5	Cleaning the Front Panel.....	13
Unpack the Air Conditioner.....	5	Annual Maintenance.....	13
Prepare Air Conditioner for Installation.....	5	TROUBLESHOOTING	13
Prepare Window for Installation.....	6	ASSISTANCE OR SERVICE	15
Position Air Conditioner	7	In the U.S.A.	15
Complete Installation	8	In Canada	15
AIR CONDITIONER USE	9	WARRANTY	16
Starting Your Air Conditioner	9		

ÍNDICE

SEGURIDAD DEL ACONDICIONADOR DE AIRE	17	Cómo usar el control remoto	25
REQUISITOS DE INSTALACIÓN	17	Cómo cambiar la dirección del aire	26
Herramientas y piezas.....	17	Sonidos normales.....	26
Requisitos de ubicación.....	18	CUIDADO DE SU ACONDICIONADOR DE AIRE	26
Requisitos eléctricos.....	18	Limpieza del filtro de aire	26
INSTRUCCIONES DE INSTALACIÓN	19	Limpieza del panel frontal	26
Desempaque el acondicionador de aire.....	19	Mantenimiento anual.....	26
Prepare el acondicionador de aire para la instalación	20	SOLUCIÓN DE PROBLEMAS	27
Preparación de la ventana para la instalación.....	20	AYUDA O SERVICIO TÉCNICO	28
Coloque el acondicionador de aire en su lugar.....	21	En los EE.UU.	28
Complete la instalación.....	22	En los CANADÁ	28
CÓMO USAR EL ACONDICIONADOR DE AIRE	23	GARANTÍA	29
Cómo poner en marcha su acondicionador de aire.....	23		

TABLE DES MATIÈRES

SÉCURITÉ DU CLIMATISEUR	31	Utilisation de la télécommande.....	39
EXIGENCES D'INSTALLATION	31	Changement de direction de l'air.....	40
Outillage et pièces.....	31	Sons normaux	40
Exigences d'emplacement.....	32	ENTRETIEN DU CLIMATISEUR	40
Spécifications électriques	32	Nettoyage du filtre à air	40
INSTRUCTIONS D'INSTALLATION	33	Nettoyage du panneau avant.....	40
Déballage du climatiseur.....	33	Entretien annuel.....	40
Préparer le climatiseur pour l'installation.....	34	DÉPANNAGE	41
Préparation de la fenêtre pour l'installation	34	ASSISTANCE OU SERVICE	42
Positionnement du climatiseur.....	35	Aux États-Unis.....	42
Achever l'installation	36	Au Canada.....	42
UTILISATION DU CLIMATISEUR	37	GARANTIE	43
Mise en marche du climatiseur.....	37		

AIR CONDITIONER SAFETY

Your safety and the safety of others is very important.

We have provided many important safety messages in this manual and on your appliance. Always read and obey all safety messages.



This is the safety alert symbol.

This symbol alerts you to potential hazards that can kill or hurt you and others.

All safety messages will follow the safety alert symbol and either the word "DANGER" or "WARNING."

These words mean:

⚠ DANGER

You can be killed or seriously injured if you don't **immediately** follow instructions.

⚠ WARNING

You can be killed or seriously injured if you don't follow instructions.

All safety messages will tell you what the potential hazard is, tell you how to reduce the chance of injury, and tell you what can happen if the instructions are not followed.

IMPORTANT SAFETY INSTRUCTIONS

WARNING: To reduce the risk of fire, electrical shock or injury when using your air conditioner, follow these basic precautions:

- Plug into a grounded 3 prong outlet.
- Do not use an extension cord.
- Do not remove ground prong.
- Unplug air conditioner before servicing.
- Do not use an adapter.
- Use two or more people to move and install air conditioner.

SAVE THESE INSTRUCTIONS

INSTALLATION REQUIREMENTS

Tools and Parts

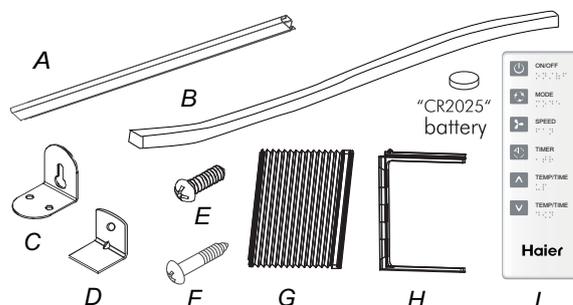
Gather the required tools and parts before starting installation. Read and follow the instructions provided with any tools listed here.

Tools needed

- Phillips head screwdriver
- Flat-blade screwdriver
- Scissors
- Level
- Socket wrench and sockets
- Tape measure
- Cordless drill and 1/8" bit
- Pencil
- Pliers
- Adjustable wrench

Parts supplied:

Check that all parts are included in parts package.



A. Top channel
 B. Foam seal
 C. Side brackets (2)
 D. Window lock bracket
 E. 1/2" screws :
 ESA410K,ESA410K-L(4)
 ESA412K,ESA412K-L(4)
 ESA410K-T,ESA410K-E(4)

ESA406K,ESA406K-L(3)
 ESA408K,ESA408K-L(3)
 ESA406K-T,ESA408K-T(3)
 F. 3/32" screws (9)
 G. Side curtains (2)
 H. Side curtain frames (2)
 I. Remote control

Location Requirements

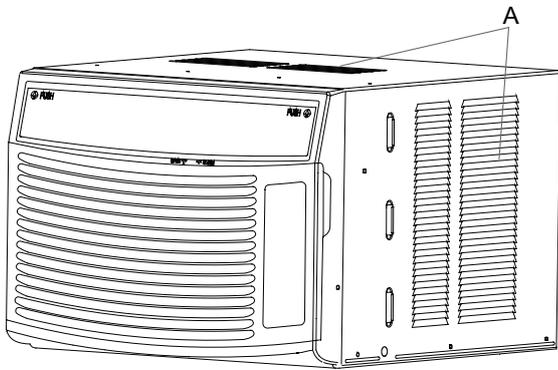
IMPORTANT: Observe all governing codes and ordinances. Check the location where the air conditioner will be installed. Make sure you have everything necessary for correct installation. The location should provide:

- Grounded electrical outlet within 4 ft (122 cm) of where the power cord exits the air conditioner. (For model ESA406K, ESA408K, ESA406K-L, ESA408K-L, ESA406K-T, ESA408K-T electrical outlet can be grounded within 6 ft (183 cm))

NOTE: Do not use an extension cord.

- Free movement of air in room to be cooled.
- A large enough opening for the air conditioner. Installation parts are supplied for double-hung windows.
- Adequate wall support for weight of air conditioner. Air conditioner weighs 44 lbs to 76 lbs (20.0 kg to 34.5 kg).

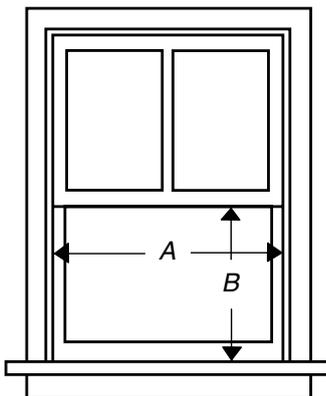
NOTE: Cabinet louvers must not be obstructed. Air must be able to pass freely through the cabinet louvers.



A. Cabinet louvers

Window Installation

Window opening measurements:



A. Width
B. Height

Dimension	MODEL	ESA406K ESA408K ESA406K-T	ESA406K-L ESA408K-L ESA408K-T	ESA410K ESA412K ESA410K-T ESA410K-E	ESA410K-L ESA412K-L
	A(inch) Min		25"(63.5cm)		24½"(62.2cm)
A(inch) Max		36"(91.4cm)		38"(96.5cm)	
B(inch) Min		13⅜"(34cm)		14⅞"(37cm)	

Electrical Requirements

⚠ WARNING



Electrical Shock Hazard

Plug into a grounded 3 prong outlet.

Do not remove ground prong.

Do not use an adapter.

Do not use an extension cord.

Failure to follow these instructions can result in death, fire, or electrical shock.

The electrical ratings for your air conditioner are listed on the model and serial number label. The model and serial number label is located either on the side or back of the air conditioner cabinet or behind the front grille.

Specific electrical requirements are listed in the chart below. Follow the requirements for the type of plug on the power supply cord.

Power Supply Cord

Wiring Requirements



- 115-volt (103.5 min. to 126.5 max.)
- 0 to 12 amps
- 15-amp time-delay fuse or circuit breaker
- Use on single outlet circuit only.

Recommended Grounding Method

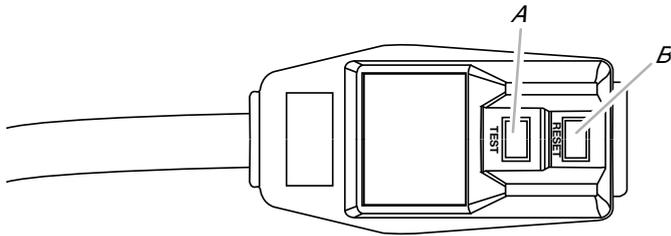
This air conditioner must be grounded. This air conditioner is equipped with a power supply cord having a 3 prong grounding plug. The cord must be plugged into a mating, grounded 3 prong outlet, grounded in accordance with all local codes and ordinances. If a mating outlet is not available, it is the customer's responsibility to have a properly grounded 3 prong outlet installed by a qualified electrical installer.

It is the customer's responsibility:

- To contact a qualified electrical installer.

Power Supply Cord

NOTE: Your air conditioner's device may differ from the one shown.



A. Test button
B. Reset button

This room air conditioner is equipped with a power supply cord required by UL. This power supply cord contains state-of-the-art electronics that sense current leakage. If the cord is crushed, the electronics detect current leakage and power will be disconnected in a fraction of a second.

⚠ WARNING



Electrical Shock Hazard

Plug into a grounded 3 prong outlet.

Do not remove ground prong.

Do not use an adapter.

Do not use an extension cord.

Failure to follow these instructions can result in death, fire, or electrical shock.

To test your power supply cord:

1. Plug power supply cord into a grounded 3 prong outlet.
2. Press RESET (on some devices, a green light will turn on).
3. Press TEST (listen for click; Reset button will trip, and on some devices, a green light will turn off).
4. Press and release RESET (listen for click; Reset button will latch, and on some devices, a green light will turn on). The power supply cord is ready for operation.

NOTES:

- The Reset button must be pushed in for proper operation.
- The power supply cord must be replaced if it fails to trip when the test button is pressed or fails to reset.
- Do not use the power supply cord as an off/on switch.
- A damaged power supply cord must be replaced with a new power supply cord obtained from the product manufacturer and must not be repaired.
- The power supply cord contains no user serviceable parts. Opening the tamper-resistant case voids all warranty and performance claims.

INSTALLATION INSTRUCTIONS

Unpack the Air Conditioner

⚠ WARNING

Excessive Weight Hazard

Use two or more people to move and install air conditioner.

Failure to do so can result in back or other injury.

Remove Packaging Materials

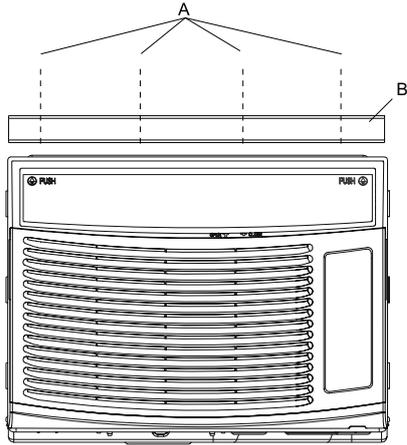
- Remove and dispose of/recycle packaging materials. Remove tape and glue residue from surfaces before turning on the air conditioner. Rub a small amount of liquid dish soap over the adhesive with your fingers. Wipe with warm water and dry.
- Do not use sharp instruments, rubbing alcohol, flammable fluids, or abrasive cleaners to remove tape or glue. These products can damage the surface of your air conditioner.
- Handle the air conditioner gently.

Prepare Air Conditioner for Installation

Install Top Channel

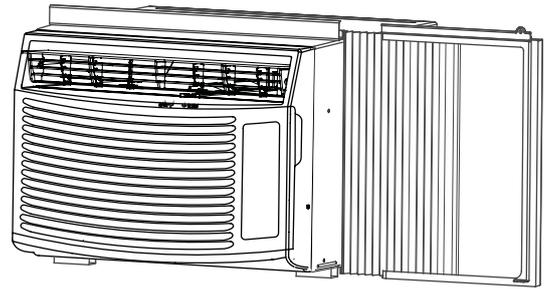
1. Place the top channel on the top of the air conditioner, lining up the holes in the top channel with the holes in the top of the air conditioner.
2. Using four $\frac{13}{32}$ " screws, attach the top channel to the air conditioner.
(For model ESA406K,ESA408K,ESA406K-L,ESA408K-L,ESA406K-T,ESA408K-T three $\frac{13}{32}$ " screws is needed to attach the top channel to the air conditioner.)

NOTE: Your model may differ from the one shown.



A. $\frac{1}{2}$ " screws
B. Top channel

- Slide the side curtain frame into the top channel on the top of the air conditioner and the track on the bottom of the air conditioner.

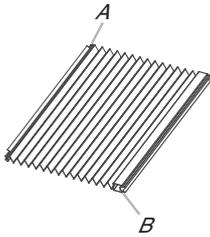


- Slide the side curtain frame as close to the air conditioner as necessary to lock the side curtain to the frame.
- Repeat above steps for the left-hand side curtain and frame.

Install Side Curtains

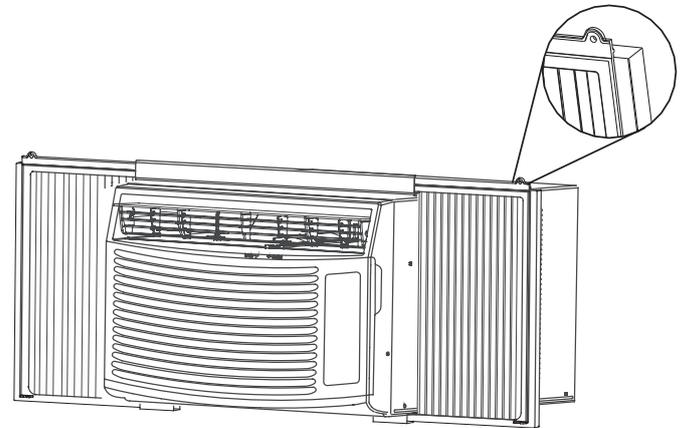
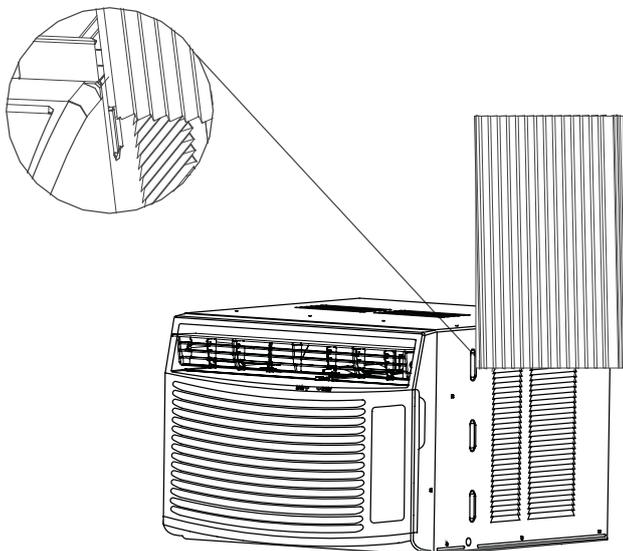
NOTE: Attach curtains to the air conditioner before placing the air conditioner in window.

- Place the tabbed side of the side curtain in the track on the right-hand side of the air conditioner cabinet.



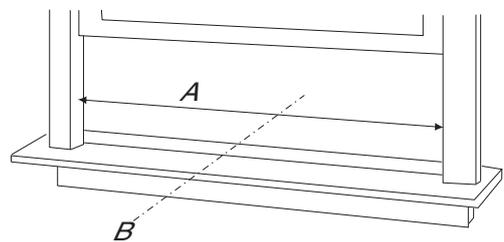
A. Tabbed side of side curtain
B. Lock edge side of side curtain

- Slide the side curtain down the track until the curtain is aligned with the top and bottom of the air conditioner cabinet.



Prepare Window for Installation

- Measure the width of the window opening.
- Mark the center line on the inside windowsill.



A. Width of window opening
B. Center line

Position Air Conditioner

⚠ WARNING

Excessive Weight Hazard

Use two or more people to move and install air conditioner.

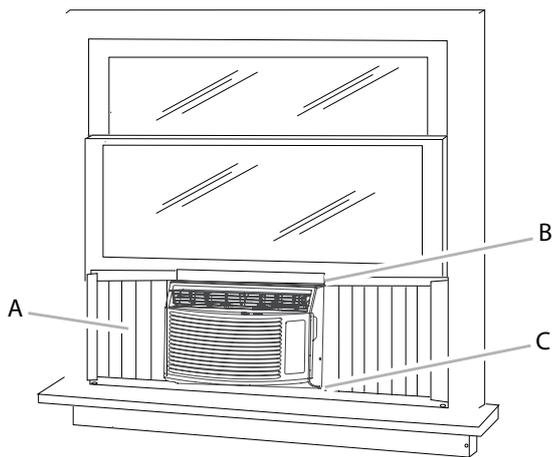
Failure to do so can result in back or other injury.

NOTES:

- Handle the air conditioner gently.
- Be sure your air conditioner does not fall out of the opening during installation or removal.
- The place where the power cord exits the air conditioner should be no more than 4 ft (122 cm) from a grounded outlet. (For model ESA406K, ESA408K, ESA406K-L, ESA408K-L, ESA406K-T, ESA408K-T electrical outlet can be grounded within 6 ft (183 cm))
- Do not block the louvers in the front panel.
- Do not block the louvers on the outside of the air conditioner.

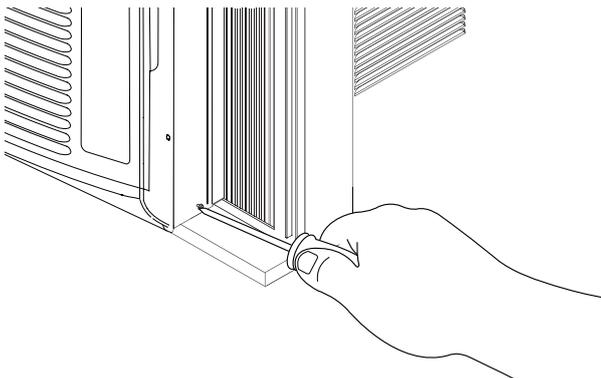
1. Center the air conditioner in the window. Lower the window sash behind the top channel to hold the cabinet in place

NOTE: Your model may differ from the one shown.

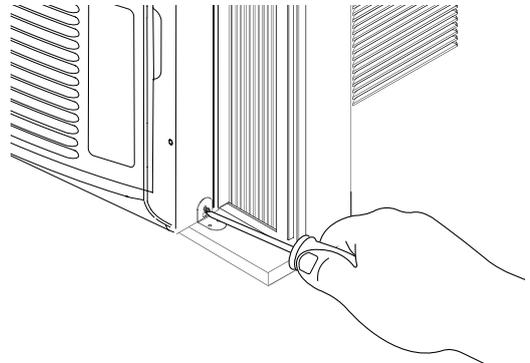


- A. Side curtain against window channel
- B. Window sash behind top channel
- C. Bottom channel in behind windowsill

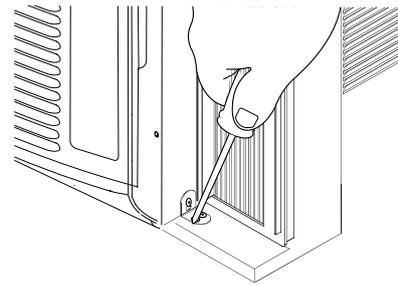
2. Loosen the screw on the right-hand side of the air conditioner cabinet near the bottom.



3. Slide the side bracket over the screw.
4. Tighten the screw. The side bracket should be resting on the windowsill.



5. Use $\frac{1}{8}$ " drill bit to drill a starter hole through the holes in the side bracket and windowsill.
6. Using two $\frac{3}{32}$ " screws, attach the side bracket to the windowsill.

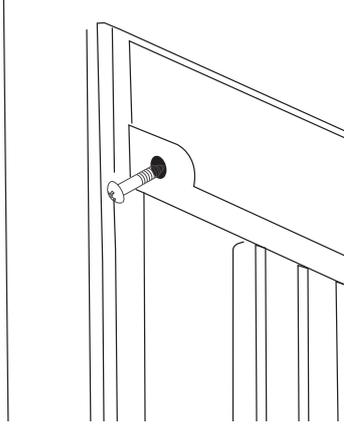


7. Repeat for side bracket installation on the left-hand side of the air conditioner.

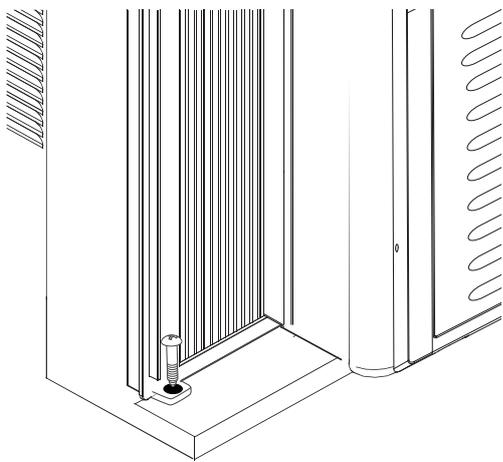
Attach Side Curtains to Window

1. Pull the left-hand curtain out until it fits into the window channel.
2. Use a $\frac{1}{8}$ " drill bit to drill a starter hole through the top hole in the side curtain and into the window sash.
3. Insert one of the $\frac{3}{32}$ " screws through the top hole of the lefthand curtain and into the window sash.
4. Repeat for the right-hand curtain.
5. Use a $\frac{1}{8}$ " drill bit to drill a starter hole through the bottom hole in the side curtain and into the window frame.
6. Insert one of the $\frac{3}{32}$ " screws through the bottom hole of the left-hand curtain and into the window frame.
7. Repeat for the right-hand curtain.

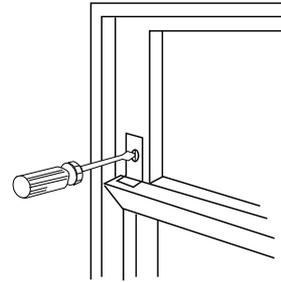
Top View



Bottom View



4. Plug into a grounded 3 prong outlet.
5. Press RESET on the power supply cord. See "Electrical Requirements."



⚠ WARNING



Electrical Shock Hazard

Plug into a grounded 3 prong outlet.

Do not remove ground prong.

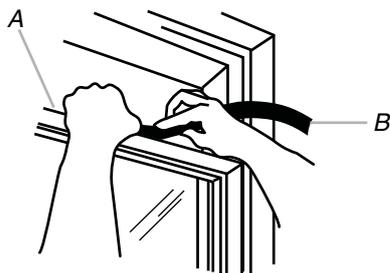
Do not use an adapter.

Do not use an extension cord.

Failure to follow these instructions can result in death, fire, or electrical shock.

Complete Installation

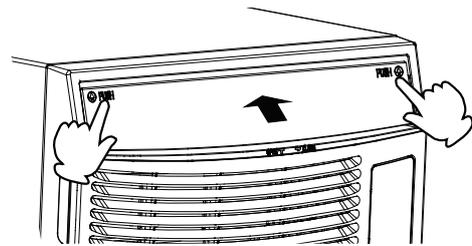
1. Insert the foam seal behind the top of the lower window sash and against the glass of the upper window.



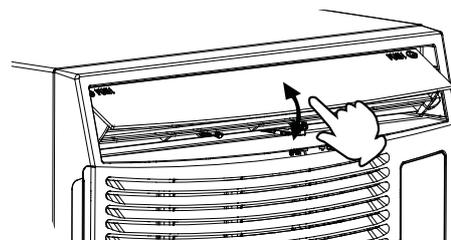
A. Top of lower window sash
B. Foam seal

2. Place the window lock bracket as shown. Use a $\frac{1}{8}$ " drill bit to drill a starter hole through the hole in the window lock bracket and into the upper window.
3. Attach the window lock bracket to the upper window with one $\frac{3}{32}$ " screw to secure the window in place.

Notes: Push to open the air outlet before using the air conditioner.



Adjust to desired position.



AIR CONDITIONER USE

Operating your air conditioner properly helps you to obtain the best possible results.

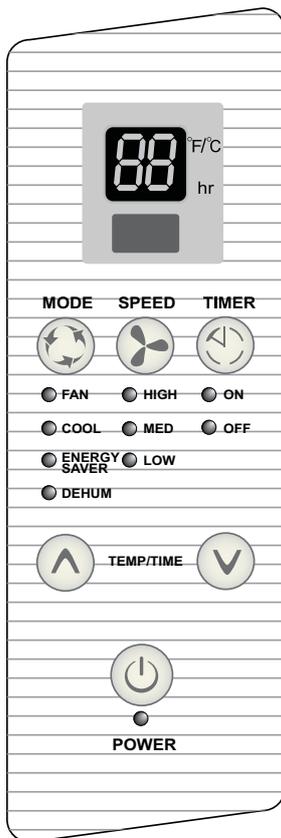
This section explains proper air conditioner operation.

IMPORTANT:

- If you turn off the air conditioner, wait at least 3 minutes before turning it back on. This keeps the air conditioner from blowing a fuse or tripping a circuit breaker.

- Do not try to operate your air conditioner in the Cool mode when outside temperature is below 61°F (16°C). The inside evaporator coil will freeze up, and the air conditioner will not operate properly.

Starting Your Air Conditioner



1. Remove the clear plastic film from the control panel.
2. Press POWER to turn on the air conditioner. The Power indicator light will turn on.



POWER

NOTE: When the air conditioner is plugged in, the LED display will show "88" for 3 seconds. After the air conditioner is turned on for the first time, the display will show the current room temperature and the fan is set to Low speed.

After the unit is plugged in, but before the unit is turned on, press and hold the POWER button for 5 seconds to switch the temperature display between Fahrenheit (F) and Celsius(C) degrees.

3. Select mode. See "Mode."
4. Select fan speed. See "Fan Speed."
5. Set temperature. See "Temperature."

Mode

1. Press MODE until you see the indicator light glow for the desired setting.
2. Choose Fan, Cool, Energy Saver or Dehum.
 - Fan—Only the fan runs. Press SPEED to select High, Med or Low fan speed. The display shows the current room temperature.
 - Cool—Cools the room. Press SPEED to select High, Med or Low fan speed. Press the TEMP/TIME up or down arrow button to adjust the temperature.
 - Energy Saver—Fan runs only when cooling is needed. Press SPEED to select High, Med or Low fan speed. Because the fan does not circulate the room air continuously, less energy is used, but the room air is not circulated as often.
 - Dehum—Dries the room. The air conditioner automatically selects the temperature.

NOTE:

- Dehum mode should not be used to cool the room.
- In Dehum mode, Please do not operate the speed button.

MODE



● FAN

● COOL

● ENERGY SAVER

● DEHUM

Fan Speed

1. Press FAN SPEED until you see the indicator light glow for the desired setting.
2. Choose High, Med or Low.
 - High—for maximum cooling
 - Med—for normal cooling
 - Low—for minimum cooling

SPEED



- HIGH
- MED
- LOW

Temperature

- Press the TEMP/TIME up arrow button to raise the temperature. Each time you press or hold the TEMP/TIME up arrow button, the temperature will go up 1°F until it reaches 86°F (30°C).

NOTE: After 5 seconds, the display will show the current room temperature.



- Press the TEMP/TIME down arrow button to lower the temperature. Each time you press or hold the TEMP/TIME down arrow button, the temperature will go down 1°F until it reaches 61°F (16°C).

NOTE: After 5 seconds, the display will show the current room temperature.

Timer Delay

To set the Timer for a 1-hour to 24-hour delay until the air conditioner turns off (the air conditioner must be On):

1. Press TIMER. Timer OFF indicator light will flash. Display will show remaining hours before the air conditioner will turn off.

TIMER



- ON
- OFF

2. Press the TEMP/TIME up or down arrow button to change the delay time from 1 hour to 24 hours.
3. After 5 seconds, Timer OFF indicator light will remain on. Display will show the current room temperature.

To set the Timer to turn on the air conditioner, keeping previous settings:

1. Turn on the air conditioner.
2. Press TIMER. Timer On indicator light will flash. Display will show remaining hours before the air conditioner will turn on.
3. Press the TEMP/TIME up or down arrow button to change the delay time from 1 hour to 24 hours.
4. Timer On indicator light will remain on.

To set the Timer to turn on the air conditioner, changing the previous settings:

1. Turn on the air conditioner.
2. Adjust the mode to Fan, Cool, Energy Saver or Dehum.
3. For Fan, Cool or Energy Saver mode, adjust the fan speed to High, Med or Low.
4. Adjust the temperature between 61°F and 86°F (16°C and 30°C).

NOTE: In Fan mode, the temperature cannot be set.

5. Press TIMER. Timer On indicator light will flash. Display will show remaining hours before the air conditioner will turn on.
6. Press the TEMP/TIME up or down arrow button to change the delay time from 1 hour to 24 hours.
7. Timer On indicator light will remain on.

To clear Timer delay program:

NOTE: Air conditioner can be either on or off.

1. Press TEMP/TIME once after it has been programmed. Display will show remaining time.
2. While the display is showing the remaining time, press TIMER until Timer indicator light turns off.

To see or change the remaining time (in hours):

Timer Off :

1. Press TEMP/TIME once after it has been programmed. Display on the air conditioner control panel will show remaining time.
2. While the display is showing the remaining time, press the TEMP/TIME up or down arrow button to increase or decrease the time.
3. After 5 seconds, the display on the air conditioner control panel will show the current room temperature.

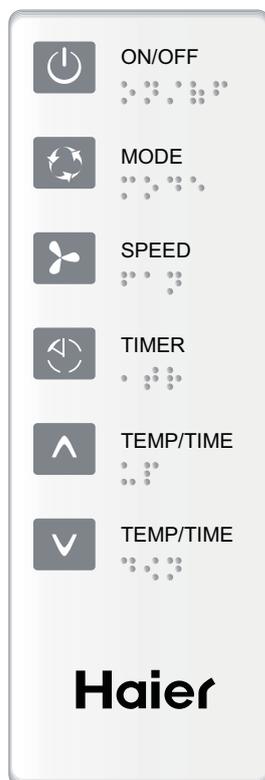
Timer On :

1. Display on the air conditioner control panel will show remaining time.
2. While the display is showing the remaining time, press the TEMP/TIME up or down arrow button to increase or decrease the time.

Using the Remote Control

NOTE: Dots are Braille text for sight Impaired.

Remote control may differ in appearance.



NOTE: One CR2025 battery (included) powers the remote control. Replace battery after 6 months of use, or when the remote control starts to lose power.

Power

Press ON/OFF to turn on the air conditioner.



Mode

Press MODE to choose Fan, Cool, Energy Saver or Dehum.



Speed

Press SPEED to choose High, Med or Low.



Temperature

- Press the TEMP/TIME up arrow button to raise the temperature. Each time you press or hold the TEMP/TIME up arrow button, the temperature will go up 1°F until it reaches 86°F (30°C).



- Press the TEMP/TIME down arrow button to lower the temperature. Each time you press or hold the TEMP/TIME down arrow button, the temperature will go down 1°F until it reaches 61°F (16°C).



Timer

To set the Timer for a 1-hour to 24-hour delay before the air conditioner is turned off (the air conditioner must be On):

1. Press TIMER. Timer OFF indicator light on the air conditioner control panel will flash.



2. Press the TEMP/TIME up or down arrow button to change the delay time from 1 hour to 24 hours.
3. After 5 seconds, Timer OFF indicator light on the air conditioner control panel will remain on.

To set Timer to turn on the air conditioner, keeping previous settings:

1. Turn on the air conditioner.
2. Press TIMER. Timer On indicator light on the air conditioner control panel will flash.
3. Press the TEMP/TIME up or down arrow button to change the delay time from 1 hour to 24 hours.
4. After 5 seconds, Timer On indicator light on the air conditioner control panel will remain on.

To set Timer to turn on the air conditioner, changing the previous settings:

1. Turn on the air conditioner.
2. Adjust the mode to Fan, Cool, Energy Saver or Dehum.
3. For Fan, Cool or Energy Saver mode, adjust the fan speed to High, Med or Low.

- Adjust the temperature between 61°F and 86°F (16°C and 30°C).
NOTE: In Fan mode, the temperature cannot be set.
- Press **TIMER**. Timer On indicator light on the air conditioner control panel will flash. Display will show remaining hours before the air conditioner will turn on.
- Press the **TEMP/TIME** up or down arrow button to change the delay time from 1 hour to 24 hours.
- Timer On indicator light on the air conditioner control panel will remain on.

To clear Timer delay program:

NOTE: Air conditioner can be either on or off.

- Press **TIMER** once after it has been programmed. Display on the air conditioner control panel will show remaining time.
- While the display is showing the remaining time, press **TIMER** until Timer indicator light turns off.

To see or change the remaining time (in hours):

Timer Off :

- Press **TEMP/TIME** once after it has been programmed. Display on the air conditioner control panel will show remaining time.
- While the display is showing the remaining time, press the **TEMP/TIME** up or down arrow button to increase or decrease the time.
- After 5 seconds, the display on the air conditioner control panel will show the current room temperature.

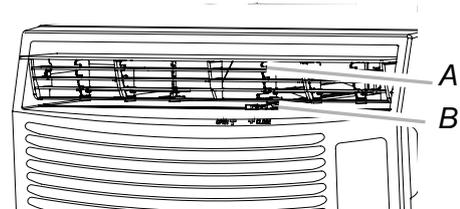
Timer On :

- Display on the air conditioner control panel will show remaining time.
- While the display is showing the remaining time, press the **TEMP/TIME** up or down arrow button to increase or decrease the time.

Changing Air Direction

4-Way Air Flow: The air directional louvers let you control the direction of the airflow to the desired direction. The airflow can be directed up-down, left-right.

Vent: The Fresh air vent allows the air conditioner to recirculate inside air, draw fresh air into the room and exhaust stale air to the outside. (**NOTE:** For model :ESA410K,ESA412K,ESA410K-L,ESA412K-L,ESA410K-T,ESA410K-E only)



A. 4-Way Air Flow
B. Vent

Normal Sounds

When your air conditioner is operating normally, you may hear sounds such as:

- Droplets of water hitting the condenser, causing a pinging or clicking sound. The water droplets help cool the condenser.
- Air movement from the fan.
- Clicks from the thermostat cycle.
- Vibrations or noise due to poor wall or window construction.
- A high-pitched hum or pulsating noise caused by the modern high-efficiency compressor cycling on and off.

AIR CONDITIONER CARE

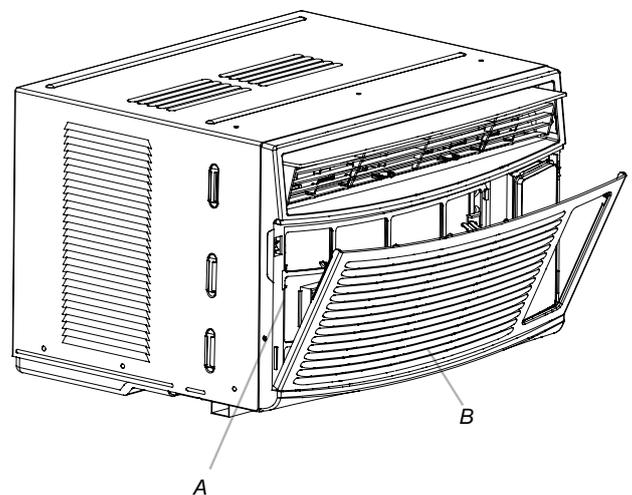
Your new air conditioner is designed to give you many years of dependable service. This section tells you how to clean and care for your air conditioner properly.

Cleaning the Air Filter

The air filter is removable for easy cleaning. A clean filter helps remove dust, lint, and other particles from the air and is important for best cooling and operating efficiency. Check the filter every 2 weeks to see whether it needs cleaning.

NOTE: Do not operate the air conditioner without the filter in place.

- Turn off the air conditioner.
- Remove the air filter by opening the front panel and removing the air filter.



A. Air filter
B. Front panel

3. Use a vacuum cleaner to clean air filter. If the air filter is very dirty, wash it in warm water with a mild detergent. Do not wash the air filter in the dishwasher or use any chemical cleaners. Air dry the air filter completely before replacing to ensure maximum efficiency.
4. Replace the air filter.
5. Close the front panel.
6. Turn on the air conditioner.

Cleaning the Front Panel

1. Turn off the air conditioner.
2. Clean the front panel with a soft, damp cloth.
3. Air dry the front panel completely.
4. Turn on the air conditioner.

Annual Maintenance

Air Conditioner

Your air conditioner needs annual maintenance to help ensure steady, top performance throughout the year. Call your local authorized dealer to schedule an annual checkup. The expense of an annual inspection is your responsibility.

TROUBLESHOOTING

Before calling for service, try the suggestions below to see whether you can solve your problem without outside help.

Air Conditioner Will Not Operate

⚠ WARNING



Electrical Shock Hazard

Plug into a grounded 3 prong outlet.

Do not remove ground prong.

Do not use an adapter.

Do not use an extension cord.

Failure to follow these instructions can result in death, fire, or electrical shock.

- **The power supply cord is unplugged.** Plug into a grounded 3 prong outlet. See “Electrical Requirements.”

- **The power supply cord has tripped (Reset button has popped out).** Press and release RESET (listen for click; Reset button will latch and on some devices, a green light will turn on) to resume operation.
- **A household fuse has blown, or circuit breaker has tripped.** Replace the fuse or reset the circuit breaker. If the problem continues, call an electrician. See “Electrical Requirements.”
- **The Power button has not been pressed or the Mode control knob is turned to Off.** Press POWER or turn the Mode control knob to an active setting.
- **The local power has failed.** Wait for power to be restored.

Air conditioner blows fuses or trips circuit breakers

- **Too many appliances are being used on the same circuit.** Unplug or relocate appliances that share the same circuit.
- **Time-delay fuse or circuit breaker of the wrong capacity is being used.** Replace with a time-delay fuse or circuit breaker of the correct capacity. See “Electrical Requirements.”

- **An extension cord is being used.** Do not use an extension cord with this or any other appliance.
- **You are trying to restart the air conditioner too soon after turning off the air conditioner.** Wait at least 3 minutes after turning off the air conditioner before trying to restart the air conditioner.

Air conditioner power supply cord trips (Reset button pops out)

- **Disturbances in your electrical current can trip (Reset button will pop out) the power supply cord.** Press and release RESET (listen for click; Reset button will latch and on some devices, a green light will turn on) to resume operation.
- **Electrical overloading, overheating, cord pinching or aging can trip (Reset button will pop out) the power supply cord.** After correcting the problem, press and release RESET (listen for click; Reset button will latch and on some devices, a green light will turn on) to resume operation.

NOTE: A damaged power supply cord must be replaced with a new power supply cord obtained from the product manufacturer and must not be repaired.

Air conditioner seems to run too much

- **The current air conditioner replaced an older model.** The use of more efficient components may cause the air conditioner to run longer than an older model, but the total energy consumption will be less. Newer air conditioners do not emit the “blast” of cold air you may be accustomed to from older air conditioners, but this is not an indication of lesser cooling capacity or efficiency. Refer to the efficiency rating (EER) and capacity rating (in Btu/h) marked on the air conditioner.
- **The air conditioner is in a heavily occupied room, or heatproducing appliances are in use in the room.** Use exhaust vent fans while cooking or bathing and try not to use heatproducing appliances during the hottest part of the day. A higher capacity air conditioner may be required, depending on the size of the room being cooled.

Air conditioner cycles on and off too much or does not cool room in cooling mode

- The air conditioner is not properly sized for your room. Check the cooling capabilities of your room air conditioner. Room air conditioners are not designed to cool multiple rooms.
- The filter is dirty or obstructed by debris. Clean the filter.
- There is excessive heat or moisture (open container cooking, showers, etc.) in the room. Use a fan to exhaust heat or moisture from the room. Try not to use heatproducing appliances during the hottest part of the day.
- The louvers are blocked. Install the air conditioner in a location where the louvers are free from curtains, blinds, furniture, etc.
- The outside temperature is below 61°F (16°C). Do not try to operate your air conditioner in the cooling mode when the outside temperature is below 61°F (16°C).
- The temperature of the room you are trying to cool is extremely hot. Allow extra time for the air conditioner to cool off a very hot room.
- Windows or doors to the outside are open. Close all windows and doors.
- The Temperature control is not at a cool enough setting. Adjust the TEMP/TIME control to a cooler setting by pressing the minus button to reduce the temperature. Set the Fan Speed control to the highest setting.

Water drips from cabinet into your house

- The air conditioner is not properly leveled. The air conditioner should slope slightly downward toward the outside. Level the air conditioner to provide a downward slope toward the outside to ensure proper drainage. See the Installation Instructions.
- NOTE:** Do not drill a hole into the bottom of the metal base and condensate pan.

ASSISTANCE OR SERVICE

Before calling for assistance or service, please check "Troubleshooting." It may save you the cost of a service call. If you still need help, follow the instructions below.

When calling, please know the purchase date and the complete model and serial number of your appliance. This information will help us to better respond to your request.

If you need replacement parts

If you need to order replacement parts, we recommend that you use only factory-specified replacement parts. Factory-specified replacement parts will fit right and work right because they are made with the same precision used to build every new appliance. To locate factory-specified replacement parts in your area, call your nearest designated service center.

Please record your model's information.

Whenever you call to request service on your appliance, you need to know your complete model number and serial number.

You can find this information on the model and serial number label. See "Electrical Requirements" for the location of the model and serial number label.

Please record the model and serial number information below. Also, record the purchase date of your appliance and the store's name, address, and telephone number.

Model Number _____

Serial Number _____

Purchase Date _____

Store Name _____

Store Address _____

Store Phone _____

Keep this book and the sales slip together for future reference.

In the U.S.A.

Visit www.haieramerica.com or call Haier America toll free **1-877-337-3639**.

Our consultants provide assistance with:

- Features and specifications on our appliances.
- Installation information.
- Use and maintenance procedures.
- Repair parts sales.
- Referrals to repair parts distributors, and service companies. Manufacturer-authorized service technicians are trained to fulfill the product warranty and provide after-warranty service, anywhere in the United States.

For Further Assistance

If you need further assistance, you can write with any questions or concerns to:

Haier America
1356 Broadway
New York, NY 10018

Please include a daytime phone number in your correspondence.

In Canada

Call Haier America toll free: **1-877-337-3639**.

Our consultants provide assistance with:

- Features and specifications on our appliances.
- Installation information.
- Use and maintenance procedures.
- Repair parts sales.
- Referrals to repair parts distributors, and service companies. Manufacturer-authorized service technicians are trained to fulfill the product warranty and provide after-warranty service, anywhere in the Canada.

For Further Assistance

If you need further assistance, you can write with any questions or concerns to:

Haier America
1356 Broadway
New York, NY 10018

Please include a daytime phone number in your correspondence.

LIMITED WARRANTY

ONE YEAR LIMITED WARRANTY

This warranty covers all defects in workmanship or material for the mechanical and electrical parts (including labor costs) contained in this product for a period of 12 months from the date of purchase. For commercial or rental application, the warranty is 90 days. You must keep and be able to provide your original sales receipt as proof of the date of purchase.

FIVE YEAR LIMITED WARRANTY ON THE SEALED SYSTEM

The sealed system and compressor (hermetic compressor, condenser and evaporator) contained in this product is for a period of 5 years from the date of purchase (excluding labor costs after the initial 12-month period). In commercial or rental use, the additional limited compressor warranty is for 1 year and 9 months (excluding labor costs after the initial 90-day period). You must keep and be able to provide your original sales receipt as proof of the date of purchase.

WHO IS COVERED

The original retail purchaser of this product.

WHAT WILL BE DONE

Haier America will repair or replace any mechanical, electrical part or the compressor, which proves defective in normal household use for a period of 12 months. Haier America will repair or replace (excluding labor costs) the sealed system and compressor (parts only) for an additional 4-year period.

HOW CAN YOU GET SERVICE

Contact your nearest manufacturer-authorized Service Depot. For the name of the Service Depot nearest you, contact Haier America at **1-877-337-3639**.

All service must be performed by a manufacturer-authorized Service Depot.

THIS WARRANTY DOES NOT COVER

1. Damages from improper installation.
 2. Damages in shipping.
 3. Defects other than manufacturing.
 4. Damages from misuse, abuse, accident, alteration, lack of proper care and maintenance or incorrect current or voltage.
 5. Damage from other than household use.
 6. Damages from service by other than an authorized dealer or service center.
 7. Decorative trims or replaceable light bulbs.
 8. Labor, service, transportation and shipping charges for the removal of defective parts and installation of replacement parts beyond the initial 12-month period.
 9. Credit or refund for products over 30 days past date of purchase, or for any loss or injury caused by the product or defects to the product including but not limited to incidental or consequential damages.
 10. Food loss for food spoiled as a direct result of mechanical failure of a product or of any delay in providing service, repair or replacement.
 11. Refurbished product purchased as/like new or second-hand.
-

THIS LIMITED WARRANTY IS GIVEN IN LIEU OF ALL OTHER WARRANTIES, EXPRESS OR IMPLIED, INCLUDING THE WARRANTIES OF MERCHANTABILITY AND FITNESS FOR A PARTICULAR PURPOSE.

The remedy provided in this warranty is exclusive and is granted in lieu of all other remedies. This warranty does not cover incidental or consequential damages. Some states do not allow the exclusion of incidental or consequential damages, so this limitation may not apply to you. Some states do not allow limitations on how long an implied warranty lasts, so this limitation may not apply to you. This warranty gives you specific legal rights and you may also have other rights which vary from state to state.

This warranty covers units within the continental United States, Canada and Puerto Rico.

SEGURIDAD DEL ACONDICIONADOR DE AIRE

Su seguridad y la seguridad de los demás es muy importante.

Hemos incluido muchos mensajes importantes de seguridad en este manual y en su electrodoméstico. Lea y obedezca siempre todos los mensajes de seguridad.



Este es el símbolo de advertencia de seguridad.

Este símbolo le llama la atención sobre peligros potenciales que pueden ocasionar la muerte o una lesión a usted y a los demás.

Todos los mensajes de seguridad irán a continuación del símbolo de advertencia de seguridad y de la palabra "PELIGRO" o "ADVERTENCIA". Estas palabras significan:

⚠ PELIGRO

Si no sigue las instrucciones de inmediato, usted puede morir o sufrir una lesión grave.

⚠ ADVERTENCIA

Si no sigue las instrucciones, usted puede morir o sufrir una lesión grave.

Todos los mensajes de seguridad le dirán el peligro potencial, le dirán cómo reducir las posibilidades de sufrir una lesión y lo que puede suceder si no se siguen las instrucciones.

INSTRUCCIONES IMPORTANTES DE SEGURIDAD

ADVERTENCIA: Para reducir el riesgo de incendio, choque eléctrico o lesiones personales al usar su acondicionador de aire, siga estas precauciones básicas:

- Conecte a un contacto de pared de conexión a tierra de 3 terminales.
- No quite el terminal de conexión a tierra.
- No use un adaptador.
- No use un cable eléctrico de extensión.
- Desconecte el acondicionador de aire antes de darle servicio.
- Use dos o más personas para mover e instalar el acondicionador de aire.

CONSERVE ESTAS INSTRUCCIONES

REQUISITOS DE INSTALACIÓN

Herramientas y piezas

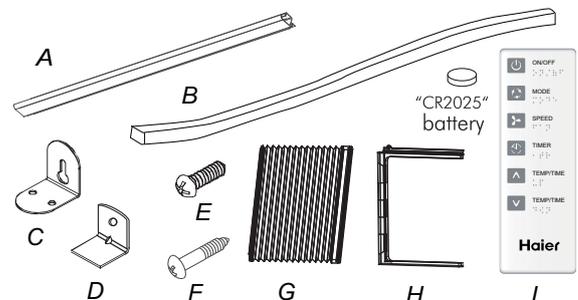
Reúna todas las herramientas y piezas necesarias antes de comenzar la instalación. Lea y siga las instrucciones provistas con cualquiera de las herramientas enlistadas aquí.

Herramientas necesarias

- Destornillador Phillips
- Destornillador de cabeza plana
- Tijeras
- Nivel
- Llave de cubo y puntas
- Cinta de medir
- Taladro inalámbrico y broca de 1/8"
- Lápiz
- Pinzas
- Llave ajustable

Piezas suministradas

Verifique que todas las piezas estén incluidas en el paquete de piezas.



- A. Canal superior
- B. Sello de espuma
- C. Soportes laterales (2)
- D. Soporte de seguridad para la ventana
- E. Tornillos de 3/32"
ESA410K,ESA410K-L(4)
ESA412K,ESA412K-L(4)
ESA410K-T,ESA410K-E(4)
- F. Tornillos de 3/32" (9)
ESA406K,ESA406K-L(3)
ESA408K,ESA408K-L(3)
ESA406K-T,ESA408K-T(3)
- G. Cortinas laterales (2)
- H. Marcos para cortinas laterales (2)
- I. Control remoto

Requisitos de ubicación

IMPORTANTE: Observe todos los códigos y reglamentos aplicables.

Verifique el lugar donde se instalará el acondicionador de aire. Asegúrese de tener todo lo necesario para una instalación correcta.

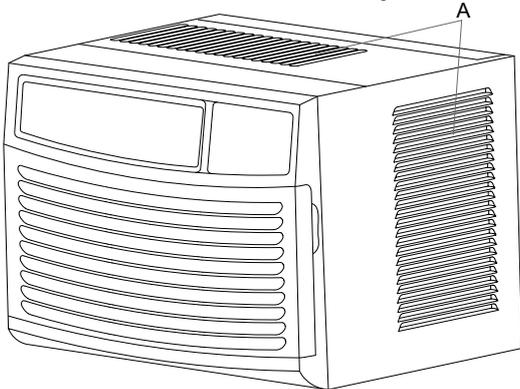
El lugar debe tener:

- Contacto con conexión a tierra a no más de 4 pies (122 cm) de donde el cable eléctrico sale del acondicionador de aire. (Para Los modelos ESA406K, ESA408K, ESA406K-L, ESA408K-L, ESA406K-T, ESA408K-T contacto con conexión a tierra a no más de 6 pies (183cm)

NOTA: No use un cable eléctrico de extensión.

- Libertad de movimiento del aire en la habitación que desea enfriar.
- Una abertura con la amplitud suficiente para el acondicionador de aire. Se proveen piezas de instalación para las ventanas de guillotina.
- Un soporte adecuado en la pared para el peso del acondicionador de aire. El acondicionador de aire pesa entre 44 lbs to 76 lbs (20.0 kg to 34.5 kg).

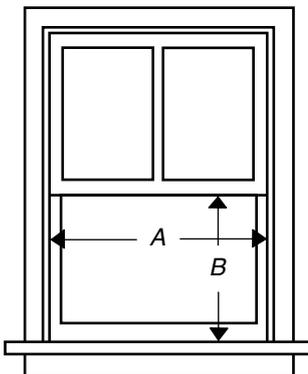
NOTA: No deben obstruirse las rejillas de la carcasa. El aire debe circular libremente a través de las rejillas de la carcasa.



A. Rejillas de la carcasa

Instalación en la ventana

Medidas de abertura de la ventana:



A. Ancho
B. Altura

MODELO	ESA406K ESA408K ESA406K-T	ESA406K-L ESA408K-L ESA408K-T	ESA410K ESA412K ESA410K-T	ESA410K-L ESA412K-L ESA410K-E
Dimensió				
A(pulgadas) Min	25"(63.5cm)		24½"(62.2cm)	
A(pulgadas) Max	36"(91.4cm)		38"(96.5cm)	
B(pulgadas) Min	13⅜"(34cm)		14⅞"(37cm)	

Requisitos eléctricos

⚠ ADVERTENCIA



Peligro de Choque Eléctrico

Conecte a un contacto de pared de conexión a tierra de 3 terminales.

No quite la terminal de conexión a tierra.

No use un adaptador.

No use un cable eléctrico de extensión.

No seguir estas instrucciones puede ocasionar la muerte, incendio o choque eléctrico.

Las clasificaciones eléctricas para su acondicionador de aire están enumeradas en la etiqueta de número del modelo y de serie. La etiqueta con número de modelo y de serie está ubicada a los lados, en la parte posterior de la carcasa del acondicionador de aire o detrás de la rejilla frontal.

Los requisitos eléctricos específicos se indican en la tabla a continuación. Siga los requisitos para el tipo de enchufe en el cable de suministro de energía.

El cable eléctrico

Requisitos de cableado



- 115 voltios (103,5 mínimo a 126,5 máximo)
- 0-12 amperios
- Fusible de retardo de 15 amperios o cortacircuitos
- Úselo solamente en un circuito con tomacorriente único.

Método de conexión a tierra recomendado

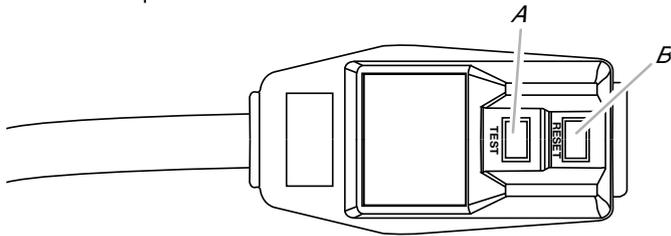
Este acondicionador de aire debe estar conectado a tierra. Este acondicionador de aire está equipado con un cable de suministro de energía provisto de un enchufe de tres terminales de conexión a tierra. El cable deberá ser enchufado en un contacto apropiado de 3 terminales, conectado a tierra de acuerdo con todos los códigos y ordenanzas locales. Si no se dispone de un tomacorriente apropiado, es responsabilidad del cliente hacer instalar un contacto con tres terminales debidamente puesto a tierra por un instalador eléctrico competente.

Es responsabilidad del cliente:

- Ponerse en contacto con un instalador eléctrico calificado.

Cable de suministro de energía

NOTA: El dispositivo de su acondicionador de aire puede ser diferente del que se ilustra.



A. Botón de prueba

B. Botón de reposición

Este acondicionador de aire para habitación está equipado con un cable de suministro de energía según lo exige UL. Este cable de suministro de energía incluye circuitos electrónicos de última generación que detectan la corriente de fuga. Si se aplasta el cable, el elemento electrónico detecta la corriente de fuga y la energía se desconecta en una fracción de segundo.

⚠ ADVERTENCIA



Peligro de Choque Eléctrico

Conecte a un contacto de pared de conexión a tierra de 3 terminales.

No quite la terminal de conexión a tierra.

No use un adaptador.

No use un cable eléctrico de extensión.

No seguir estas instrucciones puede ocasionar la muerte, incendio o choque eléctrico.

Para poner a prueba el cable de suministro de energía:

1. Enchufe el cable de suministro de energía en un tomacorriente de 3 terminales con conexión a tierra.
2. Presione RESET (Reposición) (en algunos aparatos se encenderá una luz verde).
3. Presione TEST (Prueba) (escuche el chasquido, el botón de reposición se atrapará y en algunos aparatos se apagará una luz verde).
4. Presione y suelte RESET (escuche el chasquido, el botón de reposición queda asegurado y en algunos aparatos se encenderá una luz verde). El cable de suministro de energía está listo para su funcionamiento.

NOTAS:

- El botón de reposición debe presionarse para el funcionamiento adecuado.
- El cable de suministro de energía debe ser reemplazado si no se dispara cuando se presione el botón de prueba o cuando falle la reposición.
- No use el cable de suministro de energía como un interruptor de encendido y apagado.
- Un cable de suministro de energía dañado debe ser reemplazado por un nuevo cable de suministro de energía obtenido del fabricante del producto y no debe ser reparado.
- El cable de suministro de energía no contiene piezas que pueda arreglar el usuario. Todos los reclamos de desempeño y la garantía quedarán anulados si se abre el estuche resistente a alteraciones.

INSTRUCCIONES DE INSTALACIÓN

Desempaque el acondicionador de aire

⚠ ADVERTENCIA

Peligro de Peso Excesivo

Use dos o más personas para mover e instalar el acondicionador de aire.

No seguir esta instrucción puede ocasionar una lesión en la espalda u otro tipo de lesiones.

Quite los materiales de empaque

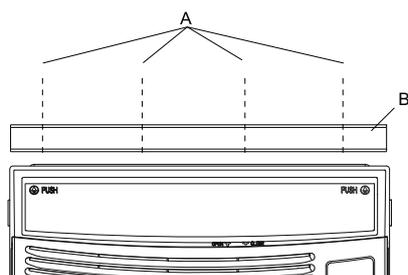
- Quite y deshágase de todos los materiales de embalaje o recícelos. Quite las cintas y los residuos de goma del acondicionador de aire antes de encenderlo. Frote un poco de detergente líquido para vajillas sobre el adhesivo con los dedos. Limpie con agua tibia y seque.
- No use instrumentos filosos, alcohol para fricciones, líquidos inflamables o productos de limpieza abrasivos para eliminar los restos de cinta o goma. Estos productos pueden dañar la superficie de su acondicionador de aire.
- Trate el acondicionador de aire con cuidado.

Prepare el acondicionador de aire para la instalación

Instale el canal superior

1. Coloque el canal superior sobre la parte superior del acondicionador de aire, alineando los orificios en el canal superior con los orificios en la parte superior del acondicionador de aire.
2. Sujete el canal superior al acondicionador de aire usando cuatro tornillos de $\frac{13}{32}$ ".
(Para los modelos ESA406K, ESA408K, ESA406K-L, ESA408K-L, ESA406K-T, ESA408K-T tres 13/32 tornillos es necesitado para sujetar el canal superior al acondicionador de aire.)

NOTA: Su modelo podría variar del modelo que se muestra.

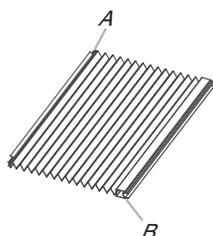


A. Tornillos de $\frac{13}{32}$ "
B. Canal superior

Instalación de las cortinas laterales

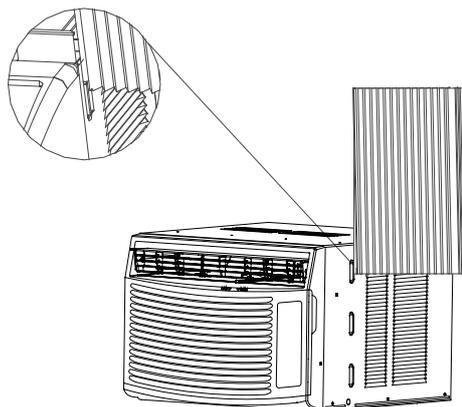
NOTA: Sujete las cortinas al acondicionador de aire antes de colocar éste en la ventana.

1. Coloque el lado con lengüetas de la cortina lateral en el riel que está sobre el lado derecho de la carcasa del acondicionador de aire.

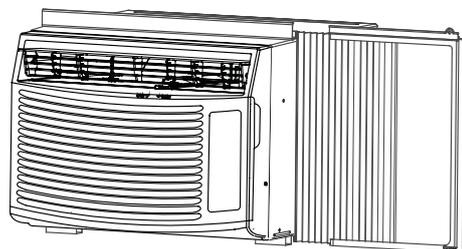


A. Lado con lengüetas de la cortina lateral
B. Lado del borde de cierre de la cortina lateral

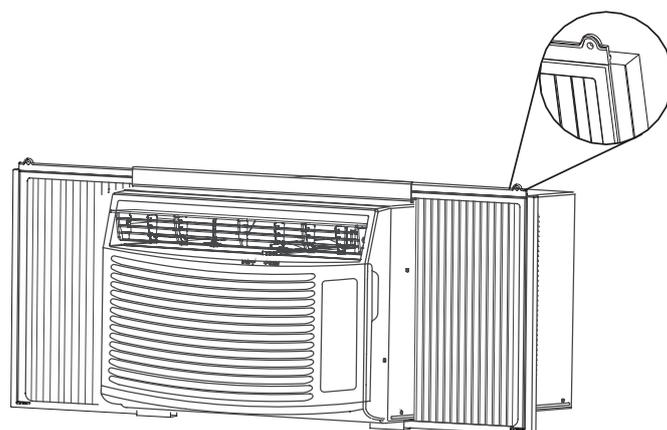
2. Deslice la cortina lateral hacia abajo sobre el riel hasta que quede alineada con la parte superior e inferior de la carcasa del acondicionador de aire.



3. Deslice el marco de la cortina lateral dentro del canal superior, en la parte superior del acondicionador de aire, y la vía en la parte inferior del mismo.

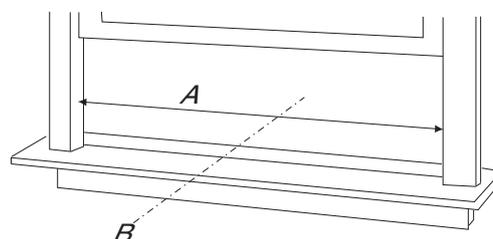


4. Deslice el marco de la cortina lateral lo más cerca del acondicionador de aire, según sea necesario, para asegurar la cortina lateral al marco.
5. Repita los pasos de arriba para la cortina y el marco del lado izquierdo.



Preparación de la ventana para la instalación

1. Mida el ancho de la abertura de la ventana.
2. Marque la línea central en el lado interior de la repisa de la ventana.



A. Ancho de la abertura de la ventana
B. Línea central

Coloque el acondicionador de aire en su lugar

⚠ ADVERTENCIA

Peligro de Peso Excesivo

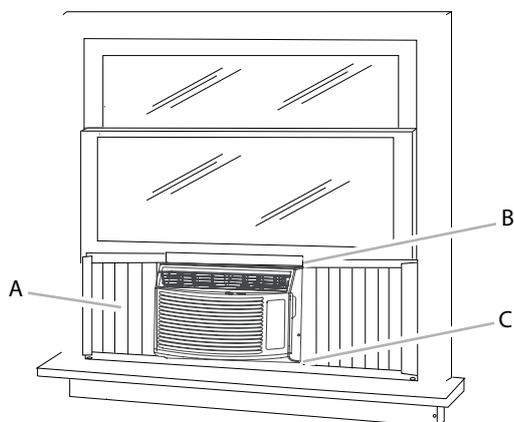
Use dos o más personas para mover e instalar el acondicionador de aire.

No seguir esta instrucción puede ocasionar una lesión en la espalda u otro tipo de lesiones.

NOTAS:

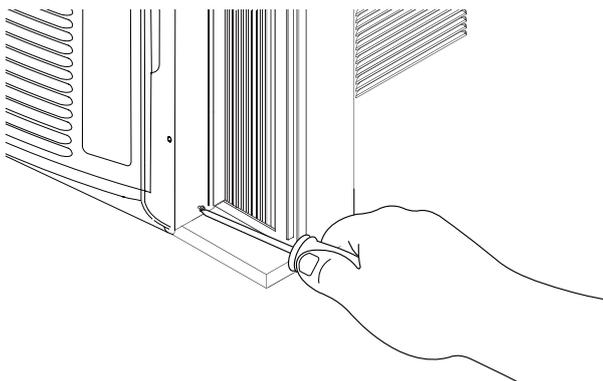
- Trate el acondicionador de aire con cuidado.
 - Cerciórese de que el acondicionador de aire no se caiga de la abertura durante la instalación o al quitarlo.
 - El lugar de donde sale el cable de suministro eléctrico del acondicionador de aire no deberá estar a más de 4 pies (122 cm) de un contacto con conexión a tierra. (Para Los modelos ESA406K,ESA408K,ESA406K-L, ESA408K-L,ESA406K-T,ESA408K-T contacto con conexión a tierra a no más de 6 pies(183cm))
 - No bloquee las rejillas del panel frontal.
 - No bloquee las rejillas que están en el exterior del acondicionador de aire.
1. Centre el acondicionador de aire en la ventana. Baje el bastidor de la ventana que está detrás del canal superior para sostener la carcasa en su lugar.

NOTA:Su modelo podría variar del modelo que se muestra.

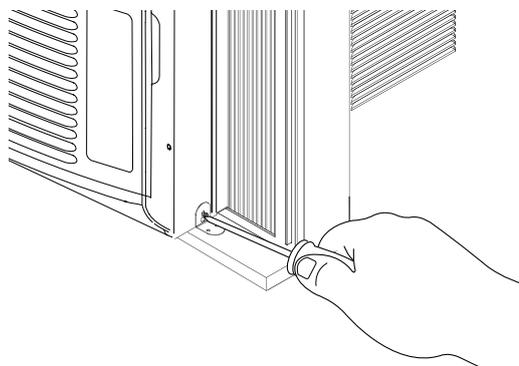


- A. Cortina lateral contra el canal de la ventana
- B. Bastidor de la ventana detrás del canal superior
- C. Canal inferior detrás del marco de la ventana

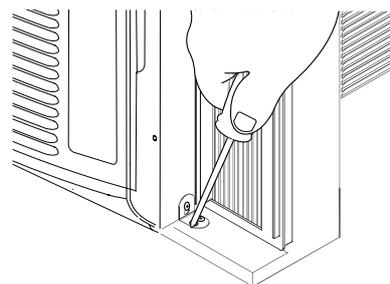
2. Afloje el tornillo que está en el lado derecho de la carcasa del acondicionador de aire, cerca de la base.



3. Deslice el soporte lateral sobre el tornillo.
4. Apriete el tornillo. El soporte lateral deberá descansar sobre la repisa de la ventana.



5. Use una broca de $\frac{1}{8}$ " para taladrar un primer orificio a través de los orificios que están en el soporte lateral y la repisa de la ventana.
6. Sujete el soporte lateral a la repisa de la ventana con dos tornillos de $\frac{3}{32}$ ".

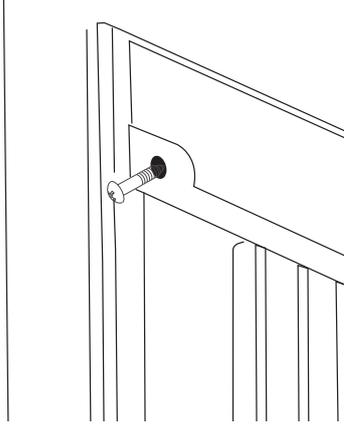


7. Repita el procedimiento para la instalación del soporte lateral en el lado izquierdo del acondicionador de aire.

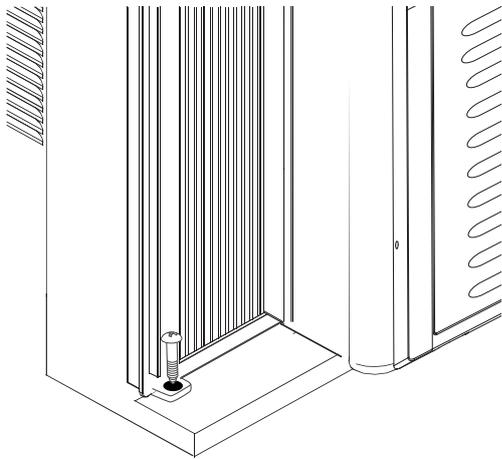
Encaje las cortinas laterales en la ventana

1. Jale la cortina izquierda hacia fuera hasta que encaje en el canal de la ventana.
2. Use una broca de $\frac{1}{8}$ " para taladrar un primer orificio en el bastidor de la ventana, a través del orificio superior que está en la cortina lateral.
3. Inserte uno de los tornillos de $\frac{3}{32}$ " en el bastidor de la ventana, a través del orificio superior de la cortina del lado izquierdo.
4. Repita el procedimiento para la cortina del lado derecho.
5. Use una broca de $\frac{1}{8}$ " para taladrar un primer orificio en el marco de la ventana, a través del orificio inferior que está en la cortina lateral.
6. Inserte uno de los tornillos de $\frac{3}{32}$ " en el marco de la ventana, a través del orificio inferior de la cortina del lado izquierdo.
7. Repita el procedimiento para la cortina del lado derecho.

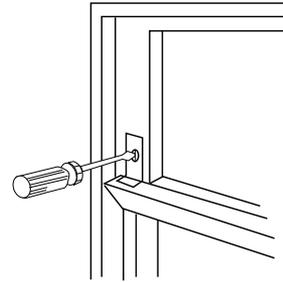
Vista superior



Vista inferior



4. Conecte a un contacto de pared de conexión a tierra de 3 terminales.
5. Presione RESET (Reposición) en el cable de suministro de energía. Vea "Requisitos eléctricos".



⚠ ADVERTENCIA



Peligro de Choque Eléctrico

Conecte a un contacto de pared de conexión a tierra de 3 terminales.

No quite la terminal de conexión a tierra.

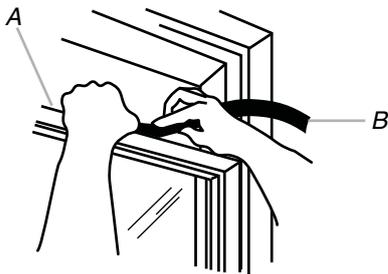
No use un adaptador.

No use un cable eléctrico de extensión.

No seguir estas instrucciones puede ocasionar la muerte, incendio o choque eléctrico.

Complete la instalación

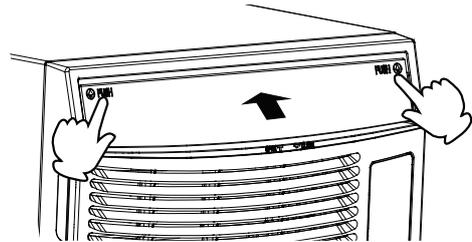
1. Inserte el sello de espuma detrás de la parte superior del bastidor de la ventana inferior y contra el vidrio de la ventana superior.



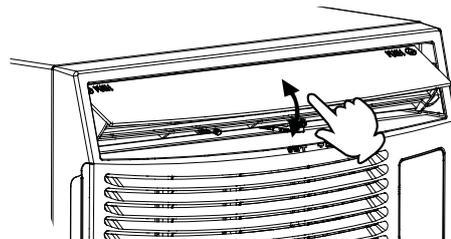
A. Parte superior del bastidor de la ventana inferior
B. Sello de espuma

2. Coloque el soporte de seguridad de la ventana como se muestra. Use una broca de $\frac{1}{8}$ " para taladrar un primer orificio en la ventana superior, a través del orificio que está en el soporte de seguridad de la ventana.
3. Sujete el soporte de seguridad de la ventana a la ventana superior con un tornillo de $\frac{3}{32}$ " para asegurar la ventana en su lugar.

Nota: Empuje para abrir la salida de aire antes de usar el aire acondicionado



Ajuste a la posición deseada



CÓMO USAR EL ACONDICIONADOR DE AIRE

Operar debidamente su acondicionador de aire le permite obtener los mejores resultados posibles.

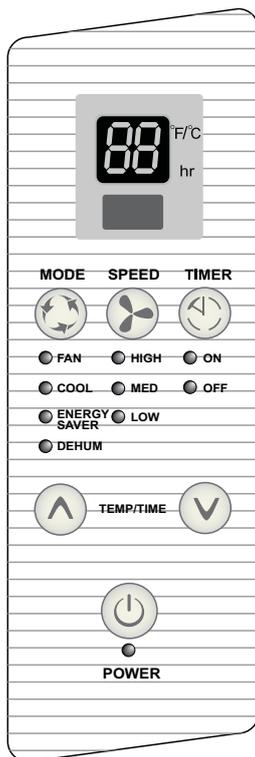
Esta sección le explica cómo operar su acondicionador de aire debidamente.

IMPORTANTE:

■ Si usted apaga el acondicionador de aire, espere por lo menos 3 minutos antes de volver a ponerlo en marcha. Esto evita que se queme un fusible del hogar o se dispare un cortacircuitos a causa del acondicionador de aire.

■ No trate de operar su acondicionador de aire en el modo de Cool (Enfriamiento) cuando la temperatura exterior sea menor de 61°F (16°C). El serpentín interior del evaporador se congelará y el acondicionador de aire no funcionará debidamente.

Cómo poner en marcha su acondicionador de aire



1. Saque la película transparente de plástico del panel de control.
2. Presione POWER (Encendido) para encender el acondicionador de aire. La luz indicadora de Power (Encendido) se encenderá.



NOTA: Cuando el acondicionador de aire se enchufe, la pantalla de LED mostrará "88" durante 3 segundos. Después de haber encendido el acondicionador de aire por primera vez, la pantalla mostrará la temperatura actual de la habitación y el ventilador se fijará en la velocidad Low (Baja). **Luego de que la unidad esté enchufada pero antes de encenderla, mantenga presionado el botón POWER (ENCENDIDO) por 5 segundos para cambiar el indicador de temperatura entre grados Fahrenheit (F) y Celsius(C).**

3. Seleccione el modo. Vea "Modo".
4. Seleccione la velocidad del ventilador. Vea "Velocidad del ventilador".
5. Fije la temperatura. Vea "Temperatura".

Modo

1. Presione MODE (Modo) hasta ver la luz indicadora encendida para el ajuste deseado.
 2. Elija Fan (Ventilador), Cool (Fresco), Energy Saver (Ahorro de energía) o Dehum (Deshumidificador).
- Fan (Ventilador)—Funciona sólo el ventilador. Presione SPEED (Velocidad) para seleccionar una velocidad de ventilador High (Alta), Med (Media) o Low (Baja). La pantalla muestra la temperatura actual de la habitación.
 - Cool (Enfriar)—Enfría la habitación. Presione SPEED (Velocidad) para seleccionar una velocidad de ventilador High (Alta), Med (Media) o Low (Baja). Presione el botón de TEMP/TIME (Temperatura/Tiempo) con la flecha hacia arriba o hacia abajo para ajustar la temperatura.
 - Energy Saver (Ahorro de energía) — El ventilador funciona sólo cuando se necesita el enfriamiento. Presione SPEED (Velocidad) para seleccionar una velocidad de ventilador High (Alta), Med (Media) o Low (Baja). Debido a que el ventilador no hace circular continuamente el aire de la habitación, se usa menos energía pero el aire de la habitación no circulará tan a menudo.
 - Dehum (Deshumidificador) — Seca la habitación. El acondicionador de aire selecciona automáticamente la temperatura.

NOTA:

- No deberá usarse el modo de Dehum (Deshumidificador) para enfriar la habitación.
- En el modo de Dehum(Deshumidificador),No funcione el botón de Speed(Velocidad)

MODE



● FAN

● COOL

● ENERGY SAVER

● DEHUM

Velocidad del ventilador

1. Presione FAN SPEED (Velocidad del ventilador) hasta ver que se encienda la luz indicadora para el ajuste deseado.
2. Elija High (Alta), Med (Media) o Low (Baja).
 - High (Alta)—para el máximo enfriamiento
 - Med (Media)—para un enfriamiento normal
 - Low (Baja)—para el mínimo enfriamiento

SPEED



● HIGH

● MED

● LOW

Temperatura

- Presione el botón de TEMP/TIME (Temperatura/Tiempo) con la flecha hacia arriba para elevar la temperatura. Cada vez que usted presione o sostenga el botón de TEMP/TIME (Temperatura/Tiempo) con la flecha hacia arriba, la temperatura se elevará en 1°F hasta alcanzar los 86°F (30°C).

NOTA: Después de 5 segundos, la pantalla mostrará la temperatura actual de la habitación.



- Presione el botón de TEMP/TIME (Temperatura/Tiempo) con la flecha hacia abajo para bajar la temperatura. Cada vez que usted presione o sostenga el botón de TEMP/TIME (Temperatura/Tiempo) con la flecha hacia abajo, la temperatura bajará 1°F hasta llegar a 61°F (16°C).

NOTA: Después de 5 segundos, la pantalla mostrará la temperatura actual de la habitación.

Retraso del temporizador

Para programar el temporizador para que el acondicionador de aire se mantenga encendido de 1 hora a 24 horas (el acondicionador de aire tiene que estar Encendido):

1. Oprima TIMER (Temporizador). La luz indicadora Timer OFF (Temporizador apagado) destellará. La pantalla mostrará las horas restantes antes de que el acondicionador de aire se apague.
 - ON
 - OFF
2. Presione el botón de TEMP/TIME (Temperatura/Tiempo) con la flecha hacia arriba o hacia abajo para cambiar el tiempo de retraso de 1 hora a 24 horas.
3. Después de 5 segundos, la luz indicadora de Timer OFF (Temporizador apagado) permanecerá encendida. La pantalla mostrará la temperatura actual de la habitación.

Para programar el temporizador de manera que el acondicionador de aire se encienda manteniendo los ajustes previos:

1. Encienda el acondicionador de aire.
2. Oprima TIMER (Temporizador). La luz indicadora Timer On (Temporizador encendido) destellará. La pantalla mostrará las horas restantes antes de que el acondicionador de aire se encienda.
3. Presione el botón de TEMP/TIME (Temperatura/Tiempo) con la flecha hacia arriba o hacia abajo para cambiar el tiempo de retraso de 1 hora a 24 horas.
4. La luz indicadora de Timer On (Temporizador encendido) permanecerá encendida.

Para programar el temporizador de manera que el acondicionador de aire se encienda cambiando los ajustes previos:

1. Encienda el acondicionador de aire.
2. Regule el modo a Fan (Ventilador), Cool (Enfriar), Energy Saver (Ahorro de energía) o Dehum (Deshumidificador).
3. Para el modo de Fan (Ventilador) Cool (Enfriar) o Energy Saver (Ahorro de energía), ajuste la velocidad del ventilador a High (Alta), Med (Media) o Low (Baja).
4. Regule la temperatura entre 61°F y 86°F (16°C y 30°C).

NOTA: En el modo de Fan (Ventilador), no se puede ajustar la temperatura.

5. Oprima TIMER (Temporizador). La luz indicadora Timer On (Temporizador encendido) destellará. La pantalla mostrará las horas restantes antes de que el acondicionador de aire se encienda.
6. Presione el botón de TEMP/TIME (Temperatura/Tiempo) con la flecha hacia arriba o hacia abajo para cambiar el tiempo de retraso de 1 hora a 24 horas.
7. Después de 5 segundos, la luz indicadora de Timer On (Temporizador encendido) permanecerá encendida. La pantalla mostrará la temperatura actual de la habitación.

Para despejar el programa de retraso del temporizador:

NOTA: El acondicionador de aire puede estar encendido o apagado.

1. Presione TEMP/TIME (Temperatura/Tiempo) una vez después de haberlo programado. La pantalla mostrará el tiempo restante.
2. Mientras el tiempo restante está mostrando por la pantalla, Presione TIMER (Temporizador) hasta encenderse la luz indicadora de Timer.

Para ver o cambiar el tiempo restante (en horas):

Timer OFF (Temporizador apagado) :

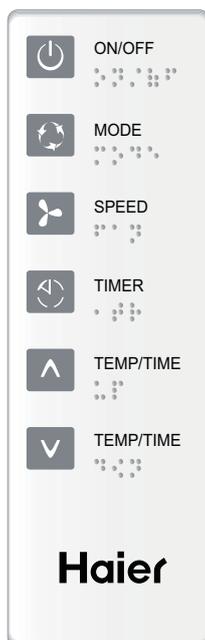
1. Presione TIMER (Temporizador) una vez después de haberlo programado. La pantalla del panel de control del acondicionador de aire mostrará la hora del día.
2. Mientras la pantalla muestra el tiempo restante, presione el botón de TEMP/TIME (Temperatura/Tiempo) con la flecha hacia arriba o hacia abajo para aumentar o disminuir el tiempo.
3. Después de 5 segundos, la pantalla en el panel de control del acondicionador de aire mostrará la temperatura actual de la habitación.

Timer On (Temporizador encendido) :

1. La pantalla del panel de control del acondicionador de aire mostrará la hora del día.
2. Mientras la pantalla muestra el tiempo restante, presione el botón de TEMP/TIME (Temperatura/Tiempo) con la flecha hacia arriba o hacia abajo para aumentar o disminuir el tiempo.

Cómo usar el control remoto

NOTA: La apariencia del control remoto puede variar.



NOTA: El control remoto se alimenta con una pila CR2025 (incluida). Cambie la pila después de 6 meses de uso o cuando el control remoto comience a perder energía.

Encendido

Presione el interruptor de ON/OFF (Encendido/Apagado) para encender el acondicionador de aire.



Modo

Presione MODE (Modo) para elegir Fan (Ventilador), Cool (Enfriar), Energy Saver (Ahorro de energía) o Dehum (Deshumidificador).



Velocidad del ventilador

Oprima SPEED (Velocidad) para seleccionar High (Alta), Med (Media) o Low (Baja).



Temperatura

- Presione el botón de TEMP/TIME (Temperatura/Tiempo) con la flecha hacia arriba para aumentar la temperatura. Cada vez que usted presione o sostenga el botón de TEMP/TIME (Temperatura/Tiempo) con la flecha hacia arriba, la temperatura se elevará en 1°F hasta alcanzar los 86°F (30°C).



- Presione el botón de TEMP/TIME (Temperatura/Tiempo) con la flecha hacia abajo para bajar la temperatura. Cada vez que usted presione o sostenga el botón de TEMP/TIME (Temperatura/Tiempo) con la flecha hacia abajo, la temperatura bajará 1°F hasta llegar a 61°F (16°C).



Timer (Temporizador)

Para fijar el temporizador para que el acondicionador de aire se apague dentro de 1 hora a 24 horas (el acondicionador de aire tiene que estar Encendido):

- Oprima TIMER (Temporizador). La luz indicadora de Timer OFF (Temporizador apagado), ubicada en el panel de control del acondicionador de aire, destellará.



- Presione el botón de TEMP/TIME (Temperatura/Tiempo) con la flecha hacia arriba o hacia abajo para cambiar el tiempo de retraso de 1 hora a 24 horas.
- Después de 5 segundos, la luz indicadora de Timer OFF (Temporizador apagado), ubicada en el panel de control del acondicionador de aire, permanecerá encendida.

Para programar el temporizador de manera que el acondicionador de aire se encienda manteniendo los ajustes previos:

- Encienda el acondicionador de aire.
- Oprima TIMER (Temporizador). La luz indicadora de Timer On (Temporizador encendido), ubicada en el panel de control del acondicionador de aire, destellará.
- Presione el botón de TEMP/TIME (Temperatura/Tiempo) con la flecha hacia arriba o hacia abajo para cambiar el tiempo de retraso de 1 hora a 24 horas.
- Después de 5 segundos, la luz indicadora de Timer On (Temporizador encendido), ubicada en el panel de control del acondicionador de aire, permanecerá encendida.

Para programar el temporizador de manera que el acondicionador de aire se encienda cambiando los ajustes previos:

- Encienda el acondicionador de aire.
- Regule el modo a Fan (Ventilador), Cool (Enfriar), Energy Saver (Ahorro de energía) o Dehum (Deshumidificador).
- Para el modo de Fan (Ventilador) Cool (Enfriar) o Energy Saver (Ahorro de energía), ajuste la velocidad del ventilador a High (Alta), Med (Media) o Low (Baja).
- Regule la temperatura entre 61°F y 86°F (16°C y 30°C)

NOTA: En el modo de Fan (Ventilador), no se puede ajustar la temperatura.

- Oprima **TIMER** (Temporizador). La luz indicadora de **Timer On** (Temporizador encendido), ubicada en el panel de control del acondicionador de aire, destellará. La pantalla mostrará las horas restantes antes de que el acondicionador de aire se encienda.
- Presione el botón de **TEMP/TIME** (Temperatura/Tiempo) con la flecha hacia arriba o hacia abajo para cambiar el tiempo de retraso de 1 hora a 24 horas.
- La luz indicadora de **Timer On** (Temporizador encendido), ubicada en el panel de control del acondicionador de aire, permanecerá encendida.

Para despejar el programa de retraso del temporizador:

NOTA: El acondicionador de aire puede estar encendido o apagado.

- Presione **TIMER** (Temporizador) una vez después de haberlo programado. La pantalla del panel de control del acondicionador de aire mostrará la hora del día.
- Mientras el tiempo restante está mostrando por la pantalla, presione **TIMER** (Temporizador) hasta encenderse la luz indicadora de **Timer**.

Para ver o cambiar el tiempo restante (en horas):

Timer OFF (Temporizador apagado) :

- Presione **TEMP/TIME** (Temperatura/Tiempo) una vez después de haberlo programado. La pantalla del panel de control del acondicionador de aire mostrará la hora del día.
- Mientras la pantalla muestra el tiempo restante, presione el botón de **TEMP/TIME** (Temperatura/Tiempo) con la flecha hacia arriba o hacia abajo para aumentar o disminuir el tiempo.
- Después de 5 segundos, la pantalla en el panel de control del acondicionador de aire mostrará la temperatura actual de la habitación.

Timer On (Temporizador encendido) :

- La pantalla del panel de control del acondicionador de aire mostrará la hora del día.
- Mientras la pantalla muestra el tiempo restante, presione el botón de **TEMP/TIME** (Temperatura/Tiempo) con la flecha hacia arriba o hacia abajo para aumentar o disminuir el tiempo.

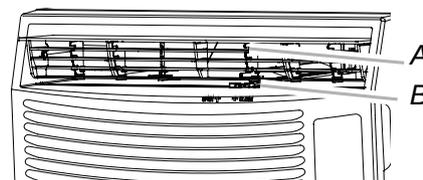
Cómo cambiar la dirección del aire

Flujo de Aire en 4 Direcciones:

Estas rejillas de ventilación direccionales le permiten controlar la dirección del flujo de aire en la dirección requerida. El flujo de aire puede dirigirse hacia arriba, abajo, a la derecha o a la izquierda.

Rejilla de ventilación: La rejilla permite que el aire recircule dentro del acondicionador, que el aire fresco se dirija dentro de la habitación y que el aire viciado y gases se despidan al exterior.

(**NOTE:** Para los modelos: ESA410K, ESA412K, ESA410K-L, ESA412K-L, ESA410K-T, ESA410K-E solamente.)



A. Flujo de Aire en 4 Direcciones
B. Rejilla de ventilación

Sonidos normales

Cuando el acondicionador de aire está funcionando normalmente, usted podrá escuchar sonidos como:

- Gotas de agua que caen sobre el condensador, produciendo tintineos o chasquidos. Las gotas de agua ayudan a enfriar el condensador.
- El movimiento del aire que sale del ventilador.
- Chasquidos del ciclo del termostato.
- Vibraciones o ruidos debidos a deficiencias en la construcción de la pared o ventana.
- Un zumbido agudo o un ruido pulsante producido por la alternación de los ciclos de encendido y apagado del moderno compresor de alta eficiencia.

CUIDADO DE SU ACONDICIONADOR DE AIRE

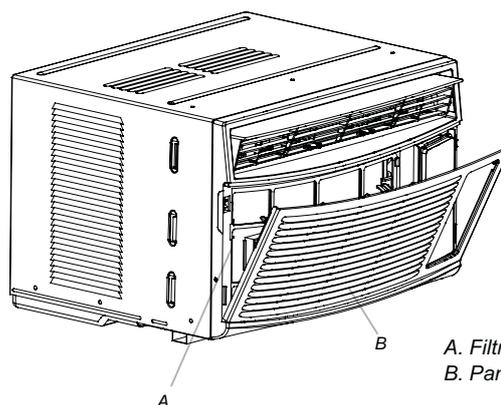
Su nuevo acondicionador de aire está diseñado para darle muchos años de servicio confiable. Esta sección le ofrece la información acerca de la limpieza adecuada y el cuidado de su acondicionador de aire. Llame al vendedor autorizado de su localidad para un chequeo anual.

Limpieza del filtro de aire

El filtro de aire se puede desmontar para facilitar su limpieza. Un filtro limpio ayuda a quitar el polvo, las pelusas y otras partículas del aire, y es importante para que el aparato enfríe y funcione más eficientemente. Revise el filtro cada 2 semanas para ver si necesita limpieza.

NOTA: No haga funcionar el acondicionador de aire si el filtro no está colocado en su lugar.

- Apague el acondicionador de aire.
- Quite el filtro de aire abriendo el panel frontal y sacando el filtro.
- Limpie el filtro usando una aspiradora. Si está muy sucio, lave el filtro con agua tibia y un detergente suave. No lave el filtro de aire en la lavavajillas ni use limpiadores químicos. Seque el filtro al aire antes de colocarlo nuevamente, para asegurarse la máxima eficiencia.
- Vuelva a colocar el filtro de aire.
- Cierre el panel frontal.
- Encienda el acondicionador de aire.



A. Filtro de aire
B. Panel frontal

Limpieza del panel frontal

- Apague el acondicionador de aire.
- Limpie el panel frontal con un paño suave y húmedo.
- Seque al aire por completo el panel frontal.
- Encienda el acondicionador de aire.

Mantenimiento anual

Su acondicionador de aire necesita mantenimiento anual para asegurar un rendimiento constante y de calidad superior durante todo el año. Llame a su distribuidor autorizado local para fijar la fecha de una revisión anual. El costo de una inspección anual es responsabilidad suya.

SOLUCIÓN DE PROBLEMAS

Antes de solicitar servicio, pruebe las sugerencias que se incluyen a continuación para ver si puede resolver el problema sin ayuda.

⚠ ADVERTENCIA



Peligro de Choque Eléctrico

Conecte a un contacto de pared de conexión a tierra de 3 terminales.

No quite la terminal de conexión a tierra.

No use un adaptador.

No use un cable eléctrico de extensión.

No seguir estas instrucciones puede ocasionar la muerte, incendio o choque eléctrico.

El acondicionador de aire no funciona

- **El cable de suministro de energía está desenchufado.** Conecte a un contacto de pared de conexión a tierra de 3 terminales. Vea "Requisitos eléctricos".
- **Se ha disparado el cable de suministro de energía (Ha saltado el botón de Reset - Reposición).** Para reanudar el funcionamiento, presione y suelte RESET (Reposición -escuche el chasquido; el botón de reposición quedará trabado y se encenderá una luz verde en algunos aparatos).
- **Se ha fundido un fusible de la casa o disparado un cortacircuitos.** Reemplace el fusible o reposicione el cortacircuitos. Si el problema continúa, llame a un electricista. Vea "Requisitos eléctricos".
- **No se ha oprimido el botón de Power (Encendido) o se ha apagado la perilla de control de Mode (Modo).** Presione POWER (Encendido) o gire la perilla de control de Mode (Modo) hacia un ajuste activo.
- **Se ha interrumpido la energía eléctrica en su localidad.** Espere que se restablezca la energía eléctrica.

El acondicionador de aire funde los fusibles o dispara los cortacircuitos

- **Se están usando muchos aparatos en el mismo circuito.** Desenchufe o ponga en otro lugar los aparatos que estén usando el mismo circuito.
- **Se está usando un fusible de retardo o un cortacircuitos con la capacidad incorrecta.** Reemplácelo con un fusible de retardo o un cortacircuitos con la capacidad correcta. Vea "Requisitos eléctricos".
- **Se está usando un cable de extensión.** No use un cable de extensión con este o cualquier otro aparato.
- **Usted está tratando de volver a poner en marcha el acondicionador de aire muy poco tiempo después de apagarlo.** Espere por lo menos 3 minutos antes de poner en marcha el acondicionador de aire después de apagarlo.

El cable de suministro de energía del acondicionador de aire se traba (el botón de reposición salta)

- **Las interrupciones en la corriente eléctrica de su casa pueden hacer que se suelte (el botón de Reset Reposición saltará) el cable de suministro de energía.** Para reanudar el funcionamiento, presione y suelte RESET (Reposición -escuche el chasquido; el botón de reposición quedará trabado y se encenderá una luz verde en algunos aparatos).
- **Una sobrecarga eléctrica, el recalentamiento, los pellizcos o el envejecimiento pueden hacer que se suelte (el botón de Reset - Reposición saltará) el cable de suministro de energía.** Para reanudar el funcionamiento, después de corregir el problema, presione y suelte RESET (Reposición -escuche el chasquido; el botón de reposición quedará trabado y se encenderá una luz verde en algunos aparatos).

NOTA: Un cable de suministro de energía dañado no debe ser reparado, debe ser reemplazado por un nuevo cable de suministro de energía obtenido del fabricante del producto.

Parece que el acondicionador de aire funciona excesivamente

- **Su actual acondicionador de aire reemplazó un modelo viejo.** El uso de componentes más eficientes puede hacer que el acondicionador de aire funcione por más tiempo que su antiguo modelo, pero el consumo total de energía será menor. Los acondicionadores de aire más nuevos no emiten las "ráfagas" de aire frío a las que usted estaba acostumbrado con sus acondicionadores de aire anteriores, pero esto no es indicio de menor capacidad o eficiencia en el enfriamiento. Verifique el régimen de eficiencia (EER) y el régimen de capacidad (en BTU/h.) que se indican en el acondicionador de aire.
- **El aire acondicionado se encuentra en una habitación muy congestionada o se están usando aparatos que generan calor en la misma habitación.** Use ventiladores aspiradores cuando esté cocinando o bañándose y trate de no usar aparatos que generan calor durante las horas más calurosas del día. Podría necesitar un acondicionador de aire con más capacidad, dependiendo del tamaño de la habitación que se desea enfriar.

La unidad se enciende y se apaga demasiado o no enfría la habitación en el modo de enfriamiento

- El acondicionador de aire no tiene el tamaño adecuado para su habitación. Verifique la capacidad de enfriamiento de su acondicionador de aire para habitación. Los acondicionadores de aire para habitaciones no están diseñados para enfriar varias habitaciones.
- El filtro está sucio u obstruido por escombros. Limpie el filtro.
- Hay demasiado calor o humedad en la habitación (se está cocinando con recipientes sin tapa, duchas, etc.). Use un ventilador para eliminar el calor o la humedad de la habitación. Trate de no usar aparatos que producen calor en las horas más calurosas del día.
- Las rejillas están bloqueadas. Instale el acondicionador de aire en un lugar donde las rejillas no estén bloqueadas por cortinas, persianas, muebles, etc.
- La temperatura exterior es inferior a los 61°F (16°C). No trate de poner en marcha el acondicionador de aire cuando la temperatura exterior sea inferior a los 61°F (16°C).

- La temperatura de la habitación que está tratando de enfriar está demasiado caliente. Deje pasar más tiempo para que el acondicionador de aire enfríe una habitación muy caliente.
- Están abiertas ventanas o puertas que dan al exterior. Cierre todas las puertas y ventanas.
- El Control de temperatura no está en un ajuste lo suficientemente frío. Ajuste el Control de TEMP/TIME (Temperatura/Tiempo) a una posición más fría oprimiendo el botón de menos para reducir la temperatura. Fije el control de Fan Speed (Velocidad del ventilador) en el ajuste más alto.

Se filtra agua de la carcasa a su casa.

- **El acondicionador de aire no está debidamente nivelado.** El acondicionador de aire debe inclinarse ligeramente hacia abajo, hacia el exterior. Nivele el acondicionador de aire de manera que tenga una inclinación hacia abajo y hacia el exterior, para asegurar el debido desagüe. Vea las Instrucciones de instalación.

NOTA: No taladre un orificio en la parte inferior de la base de metal ni del colector de condensado.

AYUDA O SERVICIO TÉCNICO

Antes de solicitar ayuda o servicio técnico, por favor consulte la sección "Solución de problemas". Esto le podría ahorrar el costo de una visita de servicio técnico. Si considera que aún necesita ayuda, siga las instrucciones que aparecen a continuación. Cuando llame, tenga a mano la fecha de compra y el número completo del modelo y de la serie de su electrodoméstico. Esta información nos ayudará a atender mejor a su pedido.

Si necesita piezas de repuesto

Si necesita pedir piezas de repuesto, recomendamos que use únicamente piezas de repuesto especificadas de fábrica. Estas piezas encajarán bien y funcionarán bien ya que están confeccionadas con la misma precisión empleada en la fabricación de cada electrodoméstico nuevo.

Para encontrar piezas de repuesto especificadas de fábrica en su localidad, llámenos o comuníquese con el centro de servicio designado más cercano a su localidad.

Por favor anote la información sobre su modelo.

Siempre que llame para solicitar servicio del aparato, necesitará saber el número de modelo y el número de serie completos. Esta

información la encuentra en la placa de número de modelo y número de serie. Vea la ubicación del número del modelo y del número de serie en "Requisitos eléctricos". Por favor anote la información sobre el número de modelo y el número de serie que se incluye abajo. Anote también la fecha de compra del aparato, así como el nombre, la dirección y el teléfono de la tienda.

Número de modelo _____

Número de serie _____

Fecha de compra _____

Nombre de la tienda _____

Dirección de la tienda _____

Teléfono de la tienda _____

Guarde este manual y la nota de compra juntos para referencia futura.

En los EE.UU.

Llame sin costo alguno Haier America al:
1-877-337-3639.

Nuestros consultores ofrecen ayuda para:

- Características y especificaciones de nuestra línea completa de productos.
- Información sobre la instalación.
- Procedimiento para el uso y mantenimiento.
- Venta de partes para reparación.
- Recomendaciones con compañías que dan servicio y distribuidores de partes para reparación. Los técnicos de servicio designados están capacitados para cumplir con la garantía del producto y ofrecer servicio una vez que la garantía termine, en cualquier lugar de los Estados Unidos.

Para obtener asistencia adicional

Si necesita asistencia adicional, puede escribir con sus preguntas o dudas a:

Haier America
1356 Broadway
New York, NY 10018

Por favor incluya en su correspondencia un número de teléfono en el que se le pueda localizar durante el día.

En los CANADÁ

Llame sin costo alguno Haier America al:
1-877-337-3639.

Nuestros consultores ofrecen ayuda para:

- Características y especificaciones de nuestra línea completa de productos.
- Información sobre la instalación.
- Procedimiento para el uso y mantenimiento.
- Venta de partes para reparación.
- Recomendaciones con compañías que dan servicio y distribuidores de partes para reparación. Los técnicos de servicio designados están capacitados para cumplir con la garantía del producto y ofrecer servicio una vez que la garantía termine, en cualquier lugar de los Estados Unidos.

Para obtener asistencia adicional

Si necesita asistencia adicional, puede escribir con sus preguntas o dudas a:

Haier America
1356 Broadway
New York, NY 10018

Por favor incluya en su correspondencia un número de teléfono en el que se le pueda localizar durante el día.

GARANTÍA LIMITADA

GARANTÍA LIMITADA DE UN AÑO

Esta garantía cubre todos los defectos de fabricación o de materiales para las piezas mecánicas y eléctricas (incluyendo los costos por mano de obra) que contenga este producto de, durante un período de 12 meses a partir de la fecha de compra. Para una aplicación comercial o de alquiler, la garantía es de 90 días. Usted deberá guardar su recibo de compra original y proveerlo como prueba de la fecha de compra.

GARANTÍA LIMITADA DE CINCO AÑOS EN EL SISTEMA SELLADO

El sistema sellado y el compresor (compresor, condensador y evaporador herméticos) que contiene este producto tienen una garantía de un período de 5 años a partir de la fecha de compra (excluyendo los gastos por mano de obra después del período inicial de 12 meses). Para el uso comercial o de alquiler, la garantía limitada adicional para el compresor es de 1 año y 9 meses (excluyendo los costos de mano de obra después del período inicial de 90 días). Usted deberá guardar su recibo de compra original y proveerlo como prueba de la fecha de compra.

QUIÉN ESTÁ CUBIERTO

El comprador minorista original de este producto.

QUÉ SE HARÁ

Haier America reparará o reemplazará cualquier pieza mecánica, eléctrica o el compresor, la cual se compruebe que es defectuosa en el uso normal doméstico, durante un período de 12 meses. Haier America reparará o reemplazará (excluyendo los gastos por mano de obra) el sistema sellado y el compresor (solamente las piezas) durante un período adicional de 4 años.

CÓMO SE PUEDE OBTENER SERVICIO

Póngase en contacto con el Centro de servicio autorizado por el fabricante más cercano. Para obtener el nombre del Centro de servicio más cercano a su localidad, póngase en contacto con Haier America al 1-877-337-3639.

Todo el servicio deberá ser efectuado por un Centro de servicio de autorizado por el fabricante.

ESTA GARANTÍA NO CUBRE

1. Daños debidos a la instalación incorrecta.
 2. Daños durante el envío.
 3. Defectos que no sean de fabricación.
 4. Daños por uso indebido, abuso, accidente, alteración, falta de cuidado y mantenimiento apropiados o corriente o voltaje incorrectos.
 5. Daños ocasionados por un uso diferente al doméstico.
 6. Daños debidos al servicio efectuado por un distribuidor o centro de servicio que sea diferente del autorizado.
 7. Cubiertas decorativas o focos de luz que se puedan reemplazar.
 8. Cargos por mano de obra, servicio, transporte y envío para la remoción de las piezas defectuosas y la instalación de piezas de repuesto que se efectúen después del período inicial de 12 meses.
 9. Crédito o reembolso por productos después de haber pasado más de 30 días después de la fecha de compra, o por cualquier pérdida o herida causadas por el producto o defectos del producto, incluyendo pero sin limitación, daños incidentales o consecuentes.
 10. Pérdida de comida o alimentos que se echen a perder como resultado directo de fallas mecánicas de un producto o cualquier retraso en la provisión de servicio, reparación o reemplazo.
 11. Productos restaurados que se hayan comprado como nuevos o de segunda mano.
-

ESTA GARANTÍA LIMITADA SE OTORGA EN LUGAR DE CU ALQUIER OTRA OTRA GARANTÍA, EXPRESA O IMPLÍCITA, INCLUYENDO LAS GARANTÍAS DE COMERCIALIZACIÓN Y CAPACIDAD PARA UN PROPÓSITO EN PARTICULAR.

El recurso provisto en esta garantía es exclusivo y está otorgado en lugar de cualquier otro recurso. Esta garantía no cubre daños incidentales o consecuentes. Algunos estados no permiten la exclusión de daños incidentales o consecuentes, de modo que esta limitación quizás no le corresponda a usted. Algunos estados no permiten las limitaciones acerca de cuánto tiempo dura una garantía implícita, de modo que la limitación arriba indicada quizás no le corresponda. Esta garantía le otorga derechos legales específicos, y es posible que usted tenga también otros derechos, los cuales varían de un estado a otro.

Esta garantía cubre las unidades comprendidas dentro de la parte continental de Estados Unidos, Canadá y Puerto Rico.

SÉCURITÉ DU CLIMATISEUR

Votre sécurité et celle des autres est très importante.

Nous donnons de nombreux messages de sécurité importants dans ce manuel et sur votre appareil ménager. Assurez-vous de toujours lire tous les messages de sécurité et de vous y conformer.



Voici le symbole d'alerte de sécurité.

Ce symbole d'alerte de sécurité vous signale les dangers potentiels de décès et de blessures graves à vous et à d'autres.

Tous les messages de sécurité suivront le symbole d'alerte de sécurité et le mot "DANGER" ou "AVERTISSEMENT". Ces mots signifient :

DANGER

Risque possible de décès ou de blessure grave si vous ne suivez pas immédiatement les instructions.

AVERTISSEMENT

Risque possible de décès ou de blessure grave si vous ne suivez pas les instructions.

Tous les messages de sécurité vous diront quel est le danger potentiel et vous disent comment réduire le risque de blessure et ce qui peut se produire en cas de non-respect des instructions.

IMPORTANTES INSTRUCTIONS DE SÉCURITÉ

AVERTISSEMENT : Pour réduire les risques d'incendie, de choc électrique ou des blessures lors de l'utilisation du climatiseur, prendre quelques précautions fondamentales, y compris les suivantes :

- Brancher sur une prise à 3 alvéoles reliée à la terre.
- Ne pas utiliser un câble de rallonge.
- Ne pas enlever la broche de liaison à la terre.
- Débrancher le climatiseur avant l'entretien.
- Ne pas utiliser un adaptateur.
- Utiliser deux ou plus de personnes pour déplacer et installer le climatiseur.

CONSERVEZ CES INSTRUCTIONS

EXIGENCES D'INSTALLATION

Outillage et pièces

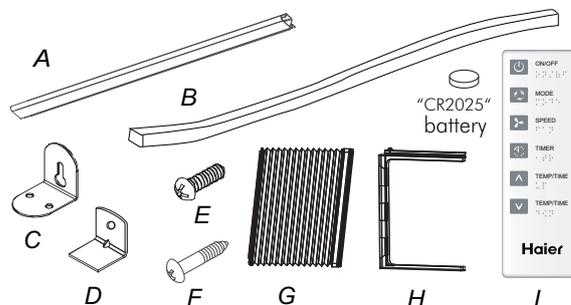
Rassembler les outils et composants nécessaires avant d'entreprendre l'installation. Lire et observer les instructions fournies avec chacun des outils de la liste ci-dessous.

Outils nécessaires

- Tournevis Phillips
- Tournevis à lame plate
- Ciseaux
- Niveau
- Clé à douille et douilles
- Mètre-ruban
- Perceuse sans fil et foret de 1/8"
- Crayon
- Pince
- Clé à molette

Pièces fournies

Vérifier que toutes les pièces sont présentes dans le sachet de pièces.



A. Glissière supérieure

B. Joint en mousse

C. Supports latéraux (2)

D. Support de blocage de la fenêtre

E. Vis de 1/32" :

ESA410K, ESA410K-L(4)

ESA412K, ESA412K-L(4)

ESA410K-T, ESA410K-E(4)

ESA406K, ESA406K-L(3)

ESA408K, ESA408K-L(3)

ESA406K-T, ESA408K-T(3)

F. Vis de 3/32" (9)

G. Rideaux latéraux (2)

H. Cadres de rideaux latéraux (2)

I. Télécommande

Exigences d'emplacement

IMPORTANT : Observer les dispositions de tous les codes et règlements en vigueur.

Inspecter l'emplacement où le climatiseur sera installé. S'assurer d'avoir tout le nécessaire pour une installation correcte.

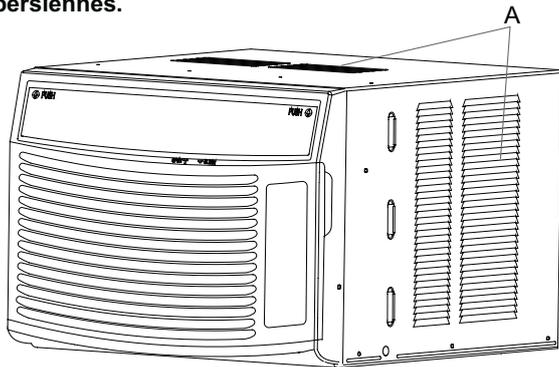
L'emplacement d'installation doit disposer de :

- Une prise électrique avec liaison à la terre située à moins de 4 pi (122 cm) du point de sortie du cordon d'alimentation du climatiseur.
(Pour les modèles:ESA406K,ESA408K,ESA406K-L, ESA408K-L,ESA406K-T,ESA408K-T prise de courant peut être immobilisé dans les 6 pi(183cm)

REMARQUE : Ne pas utiliser de câble de rallonge.

- Une libre circulation de l'air dans la pièce à refroidir.
- Une ouverture de taille suffisante pour le climatiseur. Les pièces d'installation sont fournies pour des fenêtres à guillotine à deux châssis mobiles.
- Un support mural adéquat pour le poids du climatiseur. Le poids du climatiseur est compris entre 44 lbs to 76 lbs (20.0 kg to 34.5 kg).

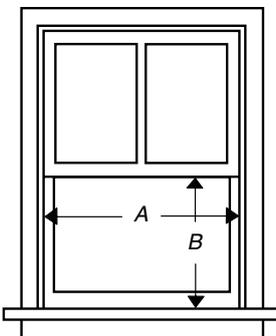
REMARQUE : Les persiennes de la caisse ne doivent pas être obstruées. L'air doit pouvoir circuler librement à travers les persiennes.



A. Persiennes de la caisse

Installation dans la fenêtre

Mesures de l'ouverture dans la fenêtre :



A. Largeur

B. Taille

Modele	ESA406K ESA406K-L ESA408K ESA408K-L ESA406K-T ESA408K-T	ESA410K ESA410K-L ESA412K ESA412K-L ESA410K-T ESA410K-E
Dimension		
A(Po.) Min	25"(63.5cm)	24½"(62.2cm)
A(Po.) Max	36"(91.4cm)	38"(96.5cm)
B(Po.) Min	13⅜"(34cm)	14⅞"(37cm)

Spécifications électriques

⚠ AVERTISSEMENT



Risque de choc électrique

Brancher sur une prise à 3 alvéoles reliée à la terre.

Ne pas enlever la broche de liaison à la terre.

Ne pas utiliser un adaptateur.

Ne pas utiliser un câble de rallonge.

Le non-respect de ces instructions peut causer un décès, un incendie ou un choc électrique.

Les caractéristiques électriques du climatiseur sont indiquées sur la plaque signalétique. La plaque signalétique se trouve soit sur le côté ou à l'arrière de la caisse du climatiseur, soit derrière la grille avant.

Les exigences électriques spécifiques sont indiquées dans le tableau ci-dessous. Suivre les recommandations pour ce type de prise électrique sur le cordon d'alimentation.

Cordon électrique

Spécifications du câblage



- 115 volts (103,5 min. et 126,5 max.)
- 0 à 12 ampères
- Fusible temporisé 15 ampères ou disjoncteur
- Alimenter le climatiseur uniquement à partir d'un circuit qui n'alimente que cet appareil.

Méthode recommandée de la liaison à la terre

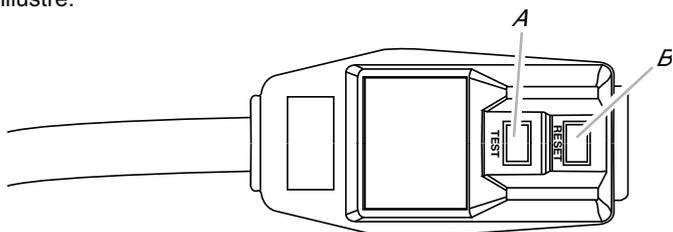
Ce climatiseur doit être relié à la terre. Ce climatiseur est équipé d'un cordon d'alimentation électrique à trois broches pour la liaison à la terre. Le cordon doit être branché sur une prise de courant de configuration correspondante, à 3 alvéoles, reliée à la terre et installée conformément à tous les codes et règlements locaux. Si une prise de courant compatible n'est pas disponible, c'est au client qu'incombe l'obligation de faire installer une prise de courant à 3 alvéoles convenablement reliée à la terre, par un électricien qualifié.

Il incombe au client la responsabilité de :

- Contacter un électricien qualifié.

Cordon d'alimentation

REMARQUE : Votre climatiseur peut différer de celui qui est illustré.



A. Bouton Test

B. Bouton Reset (réinitialisation)

Ce climatiseur de pièce est équipé d'un cordon d'alimentation conforme aux exigences de UL. Ce cordon d'alimentation comporte des circuits électroniques d'avant-garde détectant les courants de fuite. En cas d'écrasement du cordon d'alimentation, les circuits électroniques détectent les courants de fuite et l'alimentation est interrompue en une fraction de seconde.

⚠ AVERTISSEMENT



Risque de choc électrique

Brancher sur une prise à 3 alvéoles reliée à la terre.

Ne pas enlever la broche de liaison à la terre.

Ne pas utiliser un adaptateur.

Ne pas utiliser un câble de rallonge.

Le non-respect de ces instructions peut causer un décès, un incendie ou un choc électrique.

Pour tester le cordon d'alimentation :

1. Brancher le cordon d'alimentation dans une prise à 3 alvéoles reliée à la terre.
2. Appuyer sur RESET (réinitialisation) (sur certains appareils, un témoin lumineux vert s'allume).
3. Appuyer sur TEST (un déclic se fait entendre, le bouton Reset se déclenche et sur certains appareils, un témoin lumineux vert s'éteint).
4. Appuyer sur le bouton RESET et le relâcher (un déclic se fait entendre, le bouton Reset s'enclenche et sur certains appareils, un témoin lumineux vert s'allume). Le cordon d'alimentation est prêt à être utilisé.

REMARQUES :

- Le bouton de réinitialisation doit être enfoncé pour un fonctionnement correct.
- Le cordon d'alimentation doit être remplacé en cas d'absence de déclenchement lorsque le bouton de test est enfoncé ou en cas d'échec de la réinitialisation.
- Ne pas utiliser le cordon d'alimentation comme interrupteur marche/arrêt.
- Un cordon d'alimentation endommagé doit être remplacé par un cordon neuf acheté auprès du fabricant et ne doit pas être réparé.
- Le cordon d'alimentation ne contient pas de pièces réparables par le client. L'ouverture du casier inviolable annule toute garantie et empêche toute réclamation relative à la performance.

INSTRUCTIONS D'INSTALLATION

Déballage du climatiseur

⚠ AVERTISSEMENT

Risque du poids excessif

Utiliser deux ou plus de personnes pour déplacer et installer le climatiseur.

Le non-respect de cette instruction peut causer une blessure au dos ou d'autre blessure.

Enlèvement des matériaux d'emballage

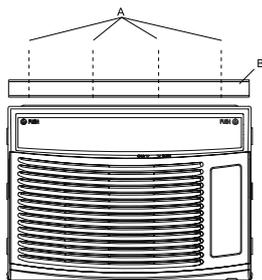
- Enlever et jeter de façon appropriée les matériaux d'emballage. Enlever tout résidu de ruban adhésif et de colle des surfaces avant de mettre le climatiseur en marche. Frotter une petite quantité de savon liquide à vaisselle sur l'adhésif avec les doigts. Rincer à l'eau tiède et sécher.
- Ne pas utiliser d'instruments coupants, d'alcool à friction, de liquides inflammables ou de nettoyants abrasifs pour enlever le ruban adhésif ou la colle. Ces produits peuvent endommager la surface de votre climatiseur.
- Manipuler le climatiseur délicatement.

Préparer le climatiseur pour l'installation

Installation de la glissière supérieure

1. Placer la glissière supérieure au sommet du climatiseur; aligner les trous de la rainure supérieure avec les trous au sommet du climatiseur.
2. À l'aide des trois vis de $\frac{13}{32}$ " , fixer la glissière supérieure au climatiseur.
(Pour les modèles:ESA410K,ESA412K,ESA410K-L,ESA412K-L,ESA410K-T,ESA410K-E vis est nécessaire de joindre le canal haut en l'air conditionné)

REMARQUE : Votre modèle peut différer de celui qui est illustré.

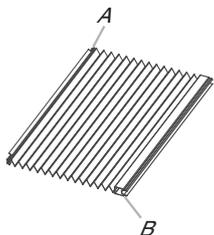


A. Vis de $\frac{13}{32}$ "
B. Glissière supérieure

Installation des rideaux latéraux

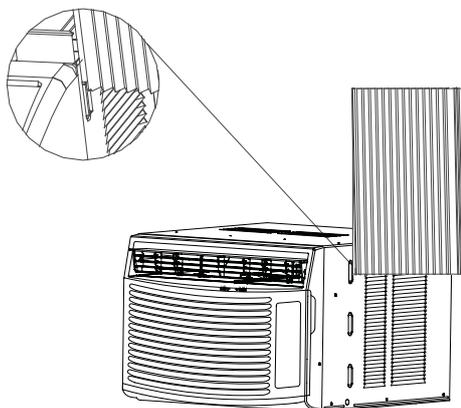
REMARQUE : Fixer les rideaux au climatiseur avant de placer celui-ci dans la fenêtre.

1. Placer le côté à onglet du rideau latéral dans la rainure située du côté droit de la caisse du climatiseur.

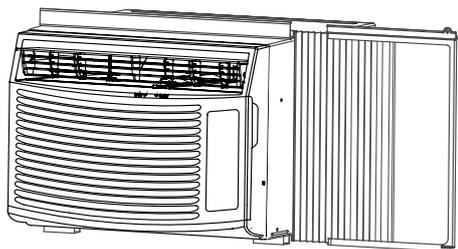


A. Côté à onglet du rideau latéral
B. Côté à enclenchement du rideau latéral

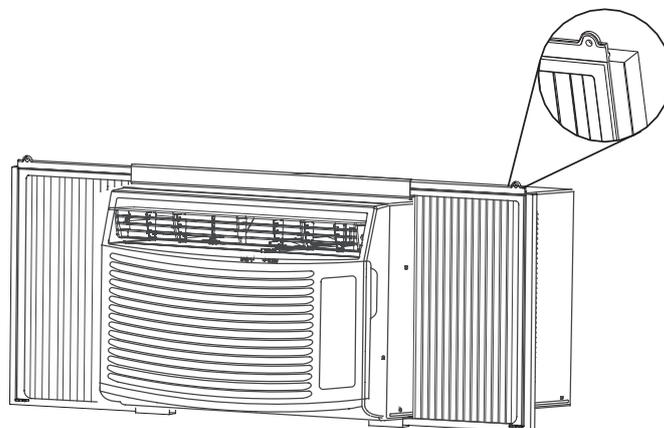
2. Faire glisser le rideau latéral le long de la rainure jusqu'à ce que le rideau soit aligné avec le sommet et le bas de la caisse du climatiseur.



3. Faire glisser le cadre du rideau latéral dans la glissière supérieure et inférieure du climatiseur.

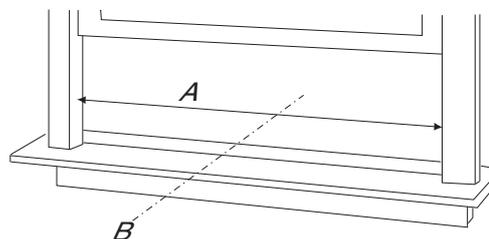


4. Faire glisser le cadre du rideau latéral aussi près que nécessaire du climatiseur afin d'emboîter le rideau latéral dans le cadre.
5. Répéter les étapes ci-dessus pour le rideau de gauche et le cadre.



Préparation de la fenêtre pour l'installation

1. Mesurer la largeur d'ouverture de la fenêtre.
2. Marquer l'axe central sur le seuil intérieur du châssis.



A. Largeur d'ouverture de la fenêtre
B. Axe central

Positionnement du climatiseur

⚠ AVERTISSEMENT

Risque du poids excessif

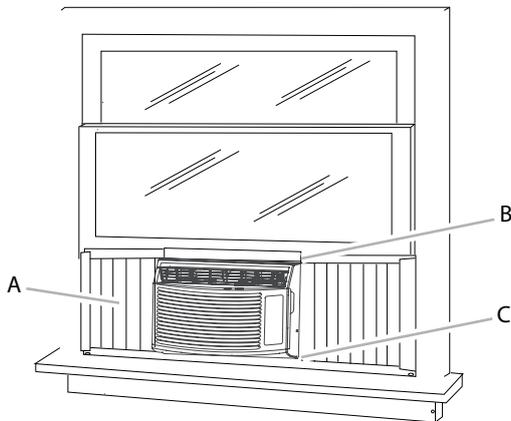
Utiliser deux ou plus de personnes pour déplacer et installer le climatiseur.

Le non-respect de cette instruction peut causer une blessure au dos ou d'autre blessure.

REMARQUES :

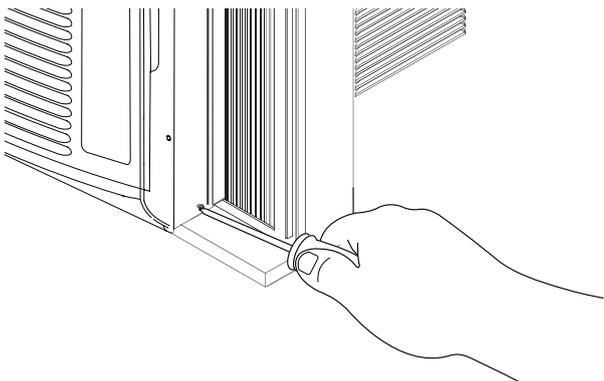
- Manipuler le climatiseur délicatement.
 - S'assurer que le climatiseur ne tombe pas de l'ouverture lors de l'installation ou de la dépose.
 - Le point à partir duquel le cordon d'alimentation ressort du climatiseur ne pas se trouver à plus de 4 pi (122 cm) d'une prise reliée à la terre.
(Pour les modèles:ESA406K,ESA408K,ESA406K-L,ESA408K-L,ESA406K-T,ESA408K-T prise de courant peut être immobilisé dans les 6 pi(183cm))
 - Ne pas obstruer les persiennes du panneau avant.
 - Ne pas obstruer les persiennes se trouvant sur la partie extérieure du climatiseur.
1. Centrer le climatiseur dans la fenêtre. Abaisser le châssis mobile de la fenêtre derrière la glissière supérieure pour maintenir la caisse en place.

REMARQUE : Votre modèle peut différer de celui qui est illustré.

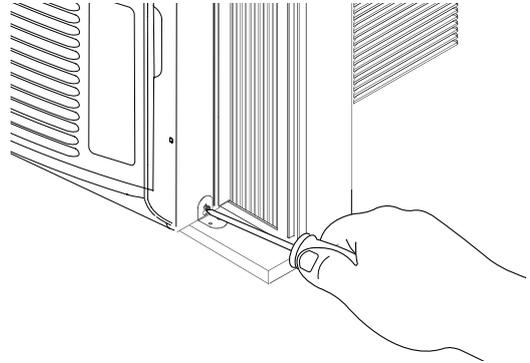


- A. Rideau latéral contre la rainure de la fenêtre
- B. Châssis mobile de la fenêtre derrière la glissière supérieure
- C. Rainure inférieure en place derrière le seuil du châssis

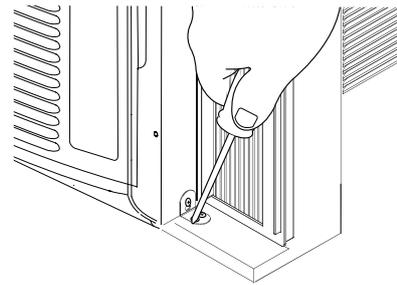
2. Desserrer la vis située du côté droit de la caisse du climatiseur, près du bas.



3. Faire glisser le support latéral par-dessus la vis.
4. Serrer la vis. Le support latéral doit reposer sur le seuil du châssis de la fenêtre.



5. Utiliser un foret de $\frac{1}{8}$ " pour percer un avant-trou dans les trous du support latéral et le seuil du châssis de la fenêtre.
6. À l'aide de deux vis de $\frac{3}{32}$ " , fixer le support latéral au seuil du châssis de la fenêtre.

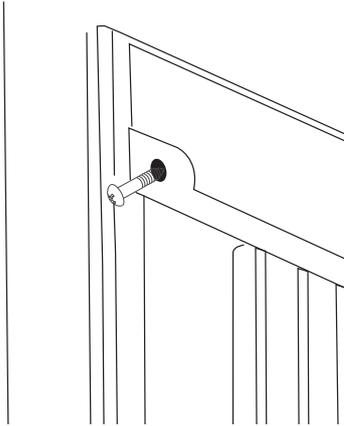


7. Répéter l'opération pour l'installation du support latéral situé du côté gauche du climatiseur.

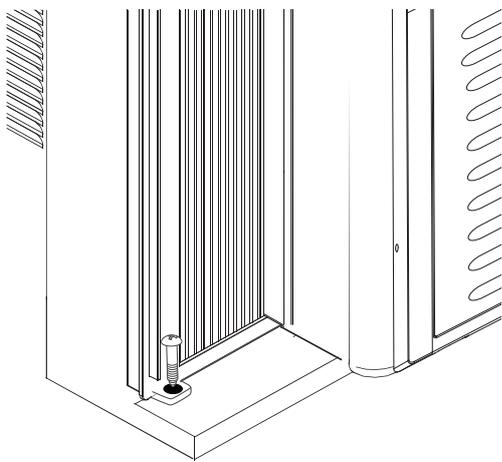
Fixation des rideaux latéraux à la fenêtre.

1. Tirer le rideau gauche vers l'extérieur jusqu'à ce qu'il s'insère parfaitement dans la rainure de la fenêtre.
2. Avec un foret de $\frac{1}{8}$ " , percer un avant-trou à travers le trou supérieur du rideau latéral et dans le châssis de la fenêtre.
3. Insérer l'une des vis de $\frac{3}{32}$ " dans le trou supérieur du rideau de gauche et dans le châssis de la fenêtre.
4. Répéter l'opération pour le rideau de droite.
5. Avec un foret de $\frac{1}{8}$ " , percer un avant-trou dans le trou inférieur du rideau latéral et dans le châssis de la fenêtre.
6. Insérer l'une des vis de $\frac{3}{32}$ " dans le trou inférieur du rideau de gauche et dans le châssis de la fenêtre.
7. Répéter l'opération pour le rideau de droite.

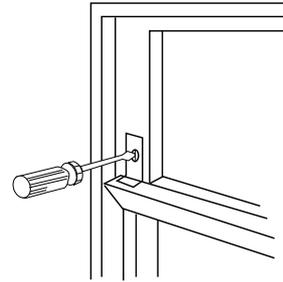
Vue de dessus



Vue inférieure



4. Brancher sur une prise de courant à 3 alvéoles reliée à la terre.
5. Appuyer sur RESET (réinitialisation) sur le cordon d'alimentation. Voir "Spécifications électriques".



⚠ AVERTISSEMENT



Risque de choc électrique

Brancher sur une prise à 3 alvéoles reliée à la terre.

Ne pas enlever la broche de liaison à la terre.

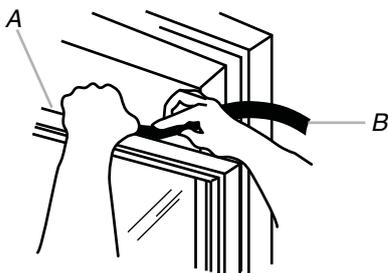
Ne pas utiliser un adaptateur.

Ne pas utiliser un câble de rallonge.

Le non-respect de ces instructions peut causer un décès, un incendie ou un choc électrique.

Achever l'installation

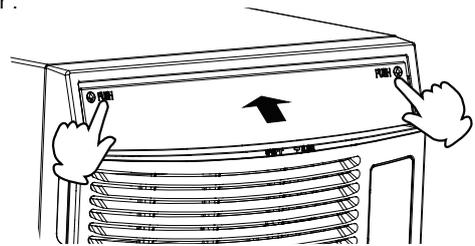
1. Insérer le joint en mousse derrière la partie supérieure du châssis inférieur de la fenêtre et contre la vitre de la partie supérieure de la fenêtre.



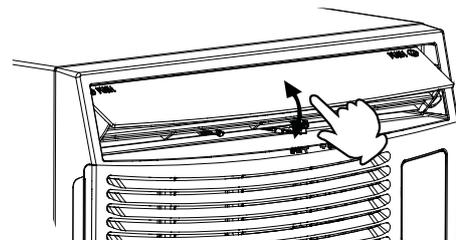
A. Sommet du châssis de la partie inférieure de la fenêtre.
B. Bande de mousse

2. Positionner le support de blocage de la fenêtre tel qu'illustré. Avec un foret de $\frac{1}{8}$ " , percer un avant-trou dans le trou du support de blocage de la fenêtre et dans la partie supérieure de la fenêtre.
3. Fixer le support de blocage de la fenêtre à la partie supérieure de la fenêtre avec une vis de $\frac{3}{32}$ " pour fixer la fenêtre.

REMARQUE : Pousser pour ouvrir la bouche d'aération avant d'utiliser le climatiseur .



Régler à la position désirée.



UTILISATION DU CLIMATISEUR

Une bonne utilisation de votre climatiseur vous aidera à obtenir les meilleurs résultats possibles.

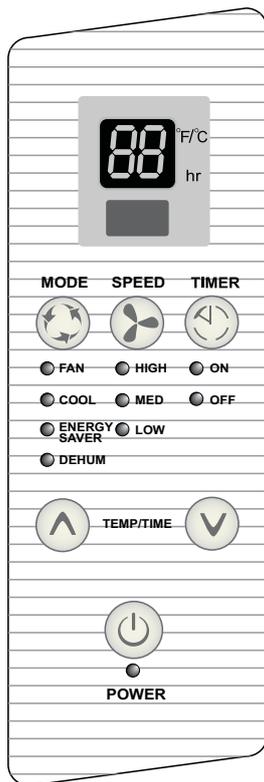
Cette section explique le fonctionnement correct du climatiseur.

IMPORTANT :

- Si on doit éteindre le climatiseur, attendre au moins 3 minutes avant de le rallumer. Ceci empêche le climatiseur de faire griller un fusible ou de déclencher le disjoncteur.

- Ne pas tenter de faire fonctionner le climatiseur au mode de refroidissement lorsque la température extérieure est inférieure à 61°F (16°C). Le serpentin de l'évaporateur intérieur gèlera et le climatiseur ne fonctionnera pas correctement.

Mise en marche du climatiseur



1. Retirer la pellicule de plastique transparent du tableau de commande.
2. Appuyer sur POWER (mise sous tension) pour mettre en marche le climatiseur. Le témoin lumineux Power s'allume.



POWER

REMARQUE : Lorsque le climatiseur est branché, l'afficheur de la DEL indique "88" pendant 3 secondes. Après que le climatiseur ait été mis en marche pour la première fois, l'afficheur indique la température ambiante de la pièce et le ventilateur est réglé à la vitesse Low (basse).

Après que l'appareil soit branché, mais avant qu'il ne soit allumé, appuyer et tenir le bouton POWER pour 5 secondes pour changer l'affichage de température entre le degrés Fahrenheit (F) ou Celsius (C).

3. Sélectionner le mode. Voir "Mode".
4. Sélectionner la vitesse du ventilateur. Voir "Vitesse du ventilateur".
5. Régler la température. Voir "Température".

Mode

1. Appuyer sur MODE jusqu'à ce que l'on voit le témoin lumineux correspondant au réglage souhaité s'allumer.
2. Sélectionner Fan (ventilateur), Cool (refroidissement), Energy Saver (économie d'énergie) ou Dehum (déshumidification)
 - Fan (ventilateur)—Seul le ventilateur fonctionne. Appuyer sur SPEED (vitesse) pour sélectionner une vitesse de ventilateur en choisissant High (élevée), Med (moyenne) ou Low (basse). L'afficheur indique la température ambiante.
 - Cool (refroidissement)—Refroidit la pièce. Appuyer sur SPEED (vitesse) pour sélectionner une vitesse de ventilateur en choisissant High (élevée), Med (moyenne) ou Low (basse). Appuyer sur le bouton à flèche vers le haut ou vers le bas de TEMP/TIME (température/durée) pour ajuster la température.
 - Energy Saver (économie d'énergie)—Le ventilateur fonctionne uniquement lorsqu'un refroidissement est nécessaire. Appuyer sur SPEED (vitesse) pour sélectionner une vitesse de ventilateur en choisissant High (élevée), Med (moyenne) ou Low (basse). Puisque le ventilateur ne fait pas circuler l'air continuellement, on utilise moins d'énergie, mais l'air de la pièce n'est pas ventilé aussi souvent.
 - Dehum (déshumidification)—Assèche la pièce. Le climatiseur sélectionne automatiquement la température.

REMARQUE :

- Le mode Dehum ne doit pas être utilisé pour refroidir la pièce.
- Au mode Dehum, le bouton Speed (vitesse) ne fonctionne pas.

MODE



FAN

COOL

ENERGY SAVER

DEHUM

Fan Speed (vitesse du ventilateur)

1. Appuyer sur FAN SPEED (vitesse du ventilateur) jusqu'à ce que l'on voit le témoin lumineux correspondant au réglage souhaité s'allumer.
2. Choisir High (élevée), Med (moyenne) ou Low (basse).
 - High—pour un refroidissement maximal
 - Med—pour un refroidissement normal
 - Low—pour un refroidissement minimal

SPEED



● HIGH

● MED

● LOW

Température

- Appuyer sur le bouton à flèche vers le haut de TEMP/TIME (température/durée) pour augmenter la température. Chaque fois que l'on appuie sur le bouton à flèche vers le haut de TEMP/TIME, la température augmente de 1°F jusqu'à ce qu'elle atteigne 86°F (30°C).

REMARQUE :Après 5 secondes, l'afficheur indique la température ambiante.



- Appuyer sur le bouton à flèche vers le bas de TEMP/TIME (température/durée) pour réduire la température. Chaque fois que l'on appuie sur le bouton à flèche vers le bas de TEMP/TIME, la température diminue de 1°F jusqu'à ce qu'elle atteigne 61°F (16°C).

REMARQUE :Après 5 secondes, l'afficheur indique la température ambiante.

Minuterie différée

Pour régler la minuterie pour une durée de 1 heure à 24 heures avant que le climatiseur ne s'éteigne (le climatiseur doit être marche) :

1. Appuyer sur TIMER (minuterie). Le témoin lumineux Timer Off (minuterie s'arrête) clignote. L'afficheur présente le nombre d'heures restant avant l'arrêt du climatiseur.

TIMER



● ON

● OFF

2. Appuyer sur le bouton à flèche vers le haut ou vers le bas de TEMP/TIME pour modifier la durée du délai de 1 heure à 24 heures.
3. Après 5 secondes, le témoin lumineux Timer OFF reste allumé. L'affichage montre la température ambiante.

Pour régler la mise en marche différée du climatiseur en gardant les réglages précédents :

1. Mettre le climatiseur en marche.
2. Appuyer sur TIMER (minuterie). Le témoin lumineux Timer On (minuterie en marche) clignote. L'afficheur présente le nombre d'heures restant avant la mise en marche du climatiseur.
3. Appuyer sur le bouton à flèche vers le haut ou vers le bas de TEMP/TIME pour modifier la durée de la mise en marche différée de 1 heure à 24 heures.
4. Le témoin lumineux Timer On reste allumé.

Pour régler la mise en marche différée du climatiseur en changeant les réglages précédents :

1. Mettre le climatiseur en marche.
2. Régler le mode à Fan (ventilateur), Cool (refroidissement), Energy Saver (économie d'énergie) ou Dehum (déshumidification).
3. Pour les modes Fan, Cool ou Energy Saver, ajuster la vitesse du ventilateur à High (élevée), Med (moyenne) ou Low (basse).
4. Régler la température entre 61°F et 86°F (16°C et 30°C).

REMARQUE :Au mode Fan, la température ne peut pas être réglée.

5. Appuyer sur TIMER (minuterie). Le témoin lumineux Timer On (minuterie en marche) clignote. L'afficheur présente le nombre d'heures restant avant la mise en marche du climatiseur.
6. Appuyer sur le bouton à flèche vers le haut ou vers le bas de TEMP/TIME pour modifier la durée de la mise en marche différée de 1 heure à 24 heures.
7. Le témoin lumineux Timer On reste allumé.

Pour effacer le programme de durée différée de la minuterie :

REMARQUE :Le climatiseur peut être soit en marche soit arrêté.

1. Appuyer sur TEMP/TIME une fois après que la minuterie a été programmée. L'afficheur indique la durée résiduelle.
2. Pendant que l'afficheur indique la durée résiduelle, appuyer sur TIMER (minuterie) jusque l'indicateur lumineux Timer s'éteint.

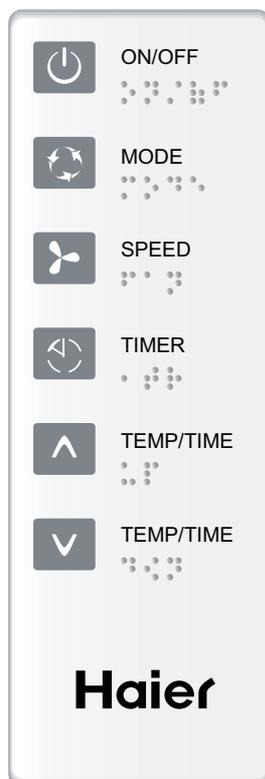
Pour voir ou modifier le temps qui reste (en heures) :

Timer Off (minuterie s'arrête):

1. Appuyer sur TEMP/TIME une fois après que la minuterie a été programmée. L'afficheur indique la durée résiduelle.
 2. Pendant que l'afficheur indique la durée résiduelle, appuyer sur le bouton à flèche vers le haut ou vers le bas de TEMP/TIME pour augmenter ou réduire la durée.
 3. Après 5 secondes, l'afficheur indique la température ambiante.
- Timer On (minuterie en marche):
1. L'afficheur indique la durée résiduelle.
 2. Pendant que l'afficheur indique la durée résiduelle, appuyer sur le bouton à flèche vers le haut ou vers le bas de TEMP/TIME pour augmenter ou réduire la durée.

Utilisation de la télécommande

REMARQUE : L'apparence de la télécommande peut varier.



REMARQUE : La télécommande est alimentée par une pile CR2025 (fournie). Remplacer les piles après 6 mois d'utilisation ou lorsque le fonctionnement de la télécommande n'est plus satisfaisant.

Power (mise sous tension)

Appuyer sur ON/OFF (marche/arrêt) pour mettre en marche le climatiseur.



Mode

Appuyer sur MODE pour pouvoir sélectionner Fan (ventilateur), Cool (refroidissement), Energy Saver (économie d'énergie) ou Dehum (déshumidification).



Vitesse du ventilateur

Appuyer sur SPEED (vitesse) pour sélectionner High (élevée), Med (moyenne) ou Low (basse).



Température

- Appuyer sur le bouton à flèche vers le haut de TEMP/TIME (température/durée) pour augmenter la température. Chaque fois que l'on appuie sur le bouton à flèche vers le haut de TEMP/TIME, la température augmente de 1°F jusqu'à ce qu'elle atteigne 86°F (30°C).



- Appuyer sur le bouton à flèche vers le bas de TEMP/TIME (température/durée) pour réduire la température. Chaque fois que l'on appuie sur le bouton à flèche vers le bas de TEMP/TIME, la température diminue de 1°F jusqu'à ce qu'elle atteigne 61°F (16°C).



Minuterie

Pour régler la minuterie pour une durée de 1 heure à 24 heures avant que le climatiseur ne s'éteigne (le climatiseur doit être marche) :

1. Appuyer sur TIMER (minuterie). L'indicateur lumineux Timer Off (minuterie s'arrête) sur le tableau de commande du climatiseur clignote.



2. Appuyer sur le bouton à flèche vers le haut ou vers le bas de TEMP/TIME pour modifier la durée du délai de 1 heure à 24 heures.
3. Après 5 secondes, l'indicateur lumineux Timer OFF sur le tableau de commande du climatiseur reste allumé.

Pour régler la mise en marche différée du climatiseur par la minuterie tout en gardant les réglages précédents :

1. Arrêter le climatiseur.
2. Appuyer sur TIMER (minuterie). L'indicateur lumineux Timer On (minuterie en marche) sur le tableau de commande du climatiseur clignote.
3. Appuyer sur le bouton à flèche vers le haut ou vers le bas de TEMP/TIME pour modifier la durée de la mise en marche différée de 1 heure à 24 heures.
4. Après 5 secondes, l'indicateur lumineux Timer On sur le tableau de commande du climatiseur reste allumé.

Pour régler la mise en marche différée du climatiseur par la minuterie tout en modifiant les réglages précédents :

1. Mettre le climatiseur en marche.
2. Régler le mode à Fan (ventilateur), Cool (refroidissement), Energy Saver (économie d'énergie) ou Dehum (déshumidification).
3. Pour les modes Fan, Cool ou Energy Saver, ajuster la vitesse du ventilateur à High (élevée), Med (moyenne) ou Low (basse).
4. Régler la température entre 61°F et 86°F (16°C et 30°C).

REMARQUE : Au mode Fan, la température ne peut pas être réglée.

- Appuyer sur **TIMER** (minuterie). L'indicateur lumineux **Timer On** (minuterie en marche) sur le tableau de commande du climatiseur clignote. L'afficheur présente le nombre d'heures restant avant la mise en marche du climatiseur.
- Appuyer sur le bouton à flèche vers le haut ou vers le bas de **TEMP/TIME** pour modifier la durée de la mise en marche différée de 1 heure à 24 heures.
- L'indicateur lumineux **Timer On** sur le tableau de commande du climatiseur reste allumé.

Pour effacer le programme de durée différée de la minuterie :

REMARQUE : Le climatiseur peut être soit en marche soit arrêté.

- Appuyer sur **TEMP** une fois après que la minuterie a été programmée. L'afficheur sur le tableau de commande du climatiseur indique la durée résiduelle.
- Pendant que l'afficheur indique la durée résiduelle, appuyer sur **TIMER** (minuterie) jusque l'indicateur lumineux **Timer** s'éteint.

Pour voir ou modifier le temps qui reste (en heures) :

Timer Off (minuterie s'arrête):

- Appuyer sur **TEMP/TIME** une fois après que la minuterie a été programmée. L'afficheur sur le tableau de commande du climatiseur indique la durée résiduelle.
- Pendant que l'afficheur indique la durée résiduelle, appuyer sur le bouton à flèche vers le haut ou vers le bas de **TEMP/TIME** pour augmenter ou réduire la durée.
- Après 5 secondes, l'afficheur du tableau de commande du climatiseur indique la température ambiante de la pièce.

Timer On (minuterie en marche):

- Appuyer sur **TEMP/TIME** une fois après que la minuterie a été programmée. L'afficheur sur le tableau de commande du climatiseur indique la durée résiduelle.
- Pendant que l'afficheur indique la durée résiduelle, appuyer sur le bouton à flèche vers le haut ou vers le bas de **TEMP/TIME** pour augmenter ou réduire la durée.

Changement de direction de l'air

4 Balayage d' Air:

Les volets d'aération directionnels permettent d'orienter la direction de la circulation d'air en fonction de ses préférences. peut être dirigée vers le haut 'up', la droite 'right side' ou type de fenêtre.

Passage:

Le passage d'air frais permet au climatiseur de recycler l'air intérieur, air frais d'aspiration dans la salle et d'épuiser l'air éventé à l'extérieur. **(REMARQUE:** Pour les modèles: ESA410K, ESA412K, ESA410K-L, ESA412K-L, ESA410K-T, ESA410K-E seulement)



A. 4 Balayage d' Air

B. Passage

Sons normaux

Lorsque le climatiseur fonctionne normalement, on peut percevoir certains sons comme :

- Gouttelettes d'eau qui heurtent le condenseur, causant un cliquetis ou un cliquettement. Les gouttelettes d'eau contribuent au refroidissement du condenseur.
- Mouvement de l'air sous l'effet du ventilateur.
- Déclics émis par le programme de thermostat.
- Vibrations ou bruits imputables à une construction médiocre du mur ou de la fenêtre.
- Bourdonnement aigu ou bruits de pulsations causés par le compresseur moderne à haute efficacité qui se met en marche et s'arrête de façon intermittente.

ENTRETIEN DU CLIMATISEUR

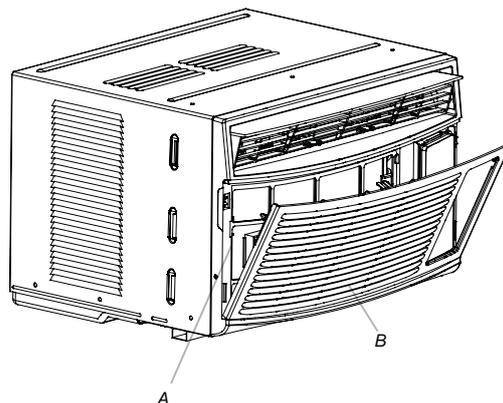
Votre nouveau climatiseur est conçu pour vous fournir de nombreuses années de fonctionnement fiable. Cette section vous expliquera comment nettoyer et entretenir votre climatiseur correctement. Contacter votre marchand local autorisé pour un contrôle annuel.

Nettoyage du filtre à air

Le filtre à air est amovible pour faciliter le nettoyage. Un filtre à air propre aide à retenir les particules de poussière, la charpie et autres débris en suspension dans l'air et il est important pour obtenir le meilleur refroidissement et la meilleure efficacité de fonctionnement. Vérifier le filtre toutes les 2 semaines pour déterminer si un nettoyage est nécessaire.

REMARQUE : Ne pas faire fonctionner le climatiseur si le filtre n'est pas en place.

- Arrêter le climatiseur.
- Retirer le filtre à air en ouvrant le panneau avant et en enlevant le filtre à air. *filto*.
- Nettoyer le climatiseur à l'aspirateur. Si le filtre à air est très sale, le laver avec de l'eau tiède et un détergent doux. Ne pas laver le filtre à air au lave-vaisselle ni utiliser de produits nettoyants chimiques. Faire sécher complètement le filtre à air à l'air libre avant de le réinstaller, afin d'assurer une efficacité maximale.
- Réinstaller le filtre à air.
- Fermer le panneau avant.
- Mettre le climatiseur en marche.



A. Filtre à air

B. Panneau avant

Nettoyage du panneau avant

- Arrêter le climatiseur.
- Nettoyer le panneau avant avec un chiffon doux et humide.
- Faire complètement sécher le panneau avant à l'air libre.
- Mettre le climatiseur en marche.

Entretien annuel

Votre climatiseur nécessite un entretien annuel pour aider à assurer un rendement maximal stable toute l'année. Contacter votre marchand local autorisé pour fixer un examen annuel. Le coût de l'examen annuel est à votre charge.

DÉPANNAGE

Avant de faire un appel de service, consulter les suggestions ci-dessous pour voir si le problème peut être résolu sans aide extérieure.

⚠ AVERTISSEMENT



Risque de choc électrique

Brancher sur une prise à 3 alvéoles reliée à la terre.

Ne pas enlever la broche de liaison à la terre.

Ne pas utiliser un adaptateur.

Ne pas utiliser un câble de rallonge.

Le non-respect de ces instructions peut causer un décès, un incendie ou un choc électrique.

Le climatiseur ne fonctionne pas

- **Le cordon d'alimentation électrique est débranché.** Brancher l'appareil sur une prise à 3 alvéoles reliée à la terre. Voir "Spécifications électriques".
- **Le cordon d'alimentation s'est déclenché (bouton Reset (réinitialisation) est ressorti).** Appuyer sur RESET et relâcher (un déclic se fait entendre, le bouton Reset s'enclenche et sur certains appareils, une lumière verte s'allume) pour poursuivre l'utilisation.
- **Un fusible est grillé ou un disjoncteur s'est ouvert.** Remplacer le fusible ou réenclencher le disjoncteur. Si le problème persiste, appeler un électricien. Voir "Spécifications électriques".
- **On n'a pas appuyé sur le bouton d'alimentation ou le bouton de commande Mode est placé sur Off (arrêt).** Presione Appuyer sur POWER ou tourner le bouton de commande Mode sur un réglage de fonctionnement.
- **Le circuit d'alimentation local est en panne.** Attendre que l'alimentation locale soit rétablie.

Le climatiseur fait griller les fusibles ou déclenche les disjoncteurs

- **Trop d'appareils sont branchés sur le même circuit.** Débrancher ou déplacer les appareils partageant le même circuit.
- **L'utilisateur emploie un fusible temporisé ou un disjoncteur de capacité inappropriée.** Les remplacer par un fusible temporisé ou un disjoncteur de capacité correcte. Voir "Spécifications électriques".
- **Vous utilisez un cordon de rallonge.** Ne pas utiliser de câble de rallonge avec cet appareil ou avec tout autre appareil.
- **L'utilisateur tente de remettre le climatiseur en marche trop rapidement après l'avoir arrêté.** Attendre au moins 3 minutes après l'arrêt du climatiseur avant de tenter une nouvelle mise en marche.

Le cordon d'alimentation du climatiseur se déclenche (le bouton Reset s'éjecte)

- **Des perturbations dans le courant électrique peuvent déclencher le cordon d'alimentation (le bouton Reset ressort).** Appuyer sur RESET et relâcher (un déclic se fait entendre, le bouton Reset s'enclenche et sur certains appareils, une lumière verte s'allume) pour poursuivre l'utilisation.
- **Une surcharge électrique, une surchauffe, l'écrasement ou le vieillissement du cordon ou du produit peuvent entraîner le déclenchement du cordon d'alimentation électrique (le bouton Reset ressort).** Après avoir corrigé le problème, appuyer sur RESET puis relâcher (un déclic se fait entendre, le bouton Reset s'enclenche et sur certains appareils, un témoin lumineux vert s'allume) pour poursuivre l'utilisation.

REMARQUE : Un cordon d'alimentation endommagé ne doit pas être réparé mais remplacé par un cordon d'alimentation neuf que l'on peut se procurer auprès du fabricant du produit. de energía obtenido del fabricante del producto.

Le climatiseur semble se mettre en marche trop fréquemment

- **Ce climatiseur remplace un modèle ancien.** Du fait de l'utilisation de composants plus efficaces, il est possible que le climatiseur fonctionne pendant de plus longues périodes que l'ancien modèle, mais sa consommation totale d'énergie sera plus faible. Les nouveaux climatiseurs ne projettent pas un puissant jet d'air froid comme les anciens modèles, mais ceci n'indique pas une réduction de la capacité de refroidissement ou de l'efficacité. Se référer à l'indice d'efficacité (EER) et l'indice de capacité (en Btu/h) indiqués sur le climatiseur.
- **Le climatiseur est installé dans une pièce encombrée ou dans laquelle des appareils générateurs de chaleur sont installés.** Utiliser des ventilateurs d'évacuation d'air pendant les opérations de cuisson ou pendant le bain, et essayer de ne pas utiliser d'appareils générateurs de chaleur pendant les périodes les plus chaudes de la journée. Il peut être nécessaire de choisir un climatiseur de plus grande puissance, selon la taille de la pièce à refroidir.

Le climatiseur s'allume et s'éteint trop fréquemment ou ne refroidit pas la pièce au mode refroidissement

- **La taille du climatiseur n'est pas appropriée à la pièce.** Vérifier la capacité de refroidissement du climatiseur de la pièce. Les climatiseurs pour une seule pièce ne sont pas conçus pour refroidir plusieurs pièces.
- **Le filtre est sale ou obstrué par des débris.** Nettoyer le filtre.
- **Il y a trop de chaleur ou d'humidité dans la pièce (cuisson dans des récipients sans couvercle, douches, etc.).** Utiliser un ventilateur pour évacuer la chaleur ou l'humidité de la pièce. Essayer de ne pas utiliser des appareils générateurs de chaleur pendant les périodes les plus chaudes de la journée.
- **Les persiennes sont obstruées.** Installer le climatiseur dans un endroit où les persiennes ne sont pas obstruées par des rideaux, stores, meubles, etc.
- **La température extérieure est inférieure à 61 °F (16 °C).** Ne pas essayer de faire fonctionner le climatiseur au mode de refroidissement lorsque la température extérieure est inférieure à 61°F (16 °C).
- **La température de la pièce à refroidir est extrêmement élevée.** Accorder du temps supplémentaire au climatiseur pour refroidir une pièce très chaude.

■ **Les fenêtres ou portes sur l'extérieur sont ouvertes.** Fermer toutes les portes et fenêtres.

■ **La commande de température ne se trouve pas sur un réglage suffisamment froid.** Ajuster la commande TEMP/TIME à un réglage plus froid en appuyant sur le bouton "moins" pour réduire la température. Régler la commande de Fan Speed (vitesse du ventilateur) sur le réglage désiré.

Fuite d'eau provenant de la caisse dans la maison

■ **Le climatiseur n'est pas de niveau.** Le climatiseur doit être légèrement incliné vers le bas et vers l'extérieur. Mettre le climatiseur de niveau de façon à ce qu'il soit incliné vers le bas et vers l'extérieur afin d'assurer un écoulement correct. Voir les Instructions d'installation.

REMARQUE : Ne pas percer un trou dans le fond de la base métallique ou du bac de condensation.

ASSISTANCE OU SERVICE

Avant de faire un appel pour assistance ou service, consulter la section "Dépannage". Ceci peut vous faire économiser le coût d'une visite de service. Si vous avez encore besoin d'aide, suivre les instructions ci-dessous.

Lors d'un appel, veuillez connaître la date d'achat, le numéro de modèle et le numéro de série au complet de l'appareil. Ces renseignements nous aideront à mieux répondre à votre demande.

Si vous avez besoin de pièces de rechange

Si vous avez besoin de commander des pièces de rechange, nous vous recommandons d'employer uniquement des pièces de rechange spécifiées par l'usine. Les pièces de rechange spécifiées par l'usine fonctionneront bien parce qu'elles sont fabriquées avec la même précision utilisée dans la fabrication de chaque nouvel appareil.

Pour obtenir des pièces de rechange spécifiées par l'usine dans votre région, nous contacter ou appeler le Centre de service désigné le plus proche.

Veuillez inscrire les informations concernant votre modèle.

Vous devrez connaître le numéro de modèle et le numéro de série au complet lorsque vous appelez pour demander un service pour votre appareil. Vous pouvez trouver ces informations sur la plaque signalétique. L'emplacement de la plaque signalétique est indiqué à la section "Spécifications électriques".

Veuillez inscrire ces informations ci-dessous (numéros de modèle et de série). Veuillez également inscrire la date d'achat de l'appareil et le nom, l'adresse et le numéro de téléphone du magasin.

Numéro de modèle _____

Numéro de série _____

Date d'achat _____

Nom du magasin _____

Adresse du magasin _____

Numéro de téléphone du magasin _____

Conservez ce manuel et votre reçu de vente ensemble pour consultation ultérieure.

Aux États-Unis

Téléphoner Haier America sans frais d'interurbain au :
1-877-337-3639.

Nos consultants sont prêts à vous aider pour les questions suivantes :

- Caractéristiques et spécifications sur toute notre gamme d'appareils électroménagers.
- Renseignements d'installation.
- Procédés d'utilisation et d'entretien.
- Vente de pièces de rechange.
- Références aux distributeurs de pièces de rechange et compagnies de service. Les techniciens de service désignés sont formés pour effectuer les travaux de réparation sous garantie et le service après la garantie, partout aux États-Unis.

Pour plus d'assistance

Si vous avez besoin de plus d'assistance, vous pouvez soumettre par écrit toute question à l'adresse suivante :

Haier America
1356 Broadway
New York, NY 10018

Dans votre correspondance veuillez indiquer un numéro de téléphone où on peut vous joindre dans la journée.

Au Canada

Veuillez contacter sans frais Haier America au :
1-877-337-3639.

Nos consultants vous renseigneront sur les sujets suivants :

- Caractéristiques et spécifications sur toute notre gamme d'appareils électroménagers.
- Consignes d'utilisation et d'entretien.
- Ventes de pièces de rechange.
- Références aux distributeurs de pièces de rechange et aux compagnies de service. Les techniciens de service désignés sont formés pour remplir la garantie des produits et fournir un service après la garantie, partout au Canada.

Pour plus d'assistance

Si vous avez besoin de plus d'assistance, vous pouvez soumettre par écrit toute question à l'adresse suivante :

Haier America
1356 Broadway
New York, NY 10018
U.S.A.

Veuillez inclure dans votre correspondance un numéro de téléphone où l'on peut vous joindre dans la journée.

GARANTIE LIMITÉE

GARANTIE LIMITÉE DE UN AN

Pendant une période de 12 mois à partir de la date d'achat, la présente garantie couvre l'ensemble des pièces mécaniques ou électriques contenues dans ce produit (notamment les frais de main-d'oeuvre) en cas de vice de matériau ou de fabrication. En cas d'usage commercial ou de location, la durée de la garantie est de 90 jours. Vous devez conserver et être en mesure de présenter votre reçu de vente original comme preuve de la date d'achat.

GARANTIE LIMITÉE DE CINQ ANS SUR LE SYSTÈME SCELLÉ

Le système scellé et le compresseur (compresseur hermétique, condenseur et évaporateur) contenus dans ce produit sont garantis pendant une période de 5 ans à partir de la date d'achat (frais de main-d'oeuvre exclus à l'issue de la période initiale de 12 mois). En cas d'usage commercial ou de location, la durée de la garantie limitée supplémentaire sur le compresseur est de un an et 9 mois (frais de main-d'oeuvre exclus à l'issue de la période initiale de 90 jours). Vous devez conserver et être en mesure de présenter votre reçu de vente original comme preuve de la date d'achat.

QUI BÉNÉFICIE DE LA GARANTIE

L'acheteur au détail original de ce produit.

CE QUI SERA FAIT

Haier America réparera ou remplacera toute pièce mécanique ou électrique ou le compresseur en cas de défaut avéré dans le cadre d'une utilisation domestique normale pendant une période de 12 mois. Haier America réparera ou remplacera (frais de main-d'oeuvre exclus) le système scellé et le compresseur (pièces uniquement) pendant une période supplémentaire de 4 ans.

COMMENT OBTENIR LES RÉPARATIONS

Communiquez avec un atelier de réparation agréé par le fabricant près de chez vous. Pour obtenir les coordonnées de l'atelier de réparation le plus proche, communiquez avec Haier America au 1-877-337-3639. Toute réparation doit être effectuée par un atelier de réparation agréé par le fabricant.

LA PRÉSENTE GARANTIE NE COUVRE PAS

1. Les dommages causés par une mauvaise installation.
 2. Les dommages causés lors de l'expédition de la marchandise.
 3. Les défauts autres que les défauts de fabrication.
 4. Les dommages causés par une utilisation malveillante ou abusive, un accident, une modification, un défaut d'entretien ou une alimentation électrique inadaptée.
 5. Les dommages causés par une utilisation à d'autres fins que l'utilisation domestique.
 6. Les dommages causés par une intervention effectuée par toute personne autre que le marchand autorisé ou un service de réparation agréé.
 7. Les garnitures décoratives ou les ampoules d'éclairage.
 8. Les frais de main-d'oeuvre, de service, de transport et d'expédition pour la dépose des pièces défectueuses et l'installation des pièces de remplacement au-delà de la période initiale de 12 mois.
 9. Le crédit ou le remboursement au titre des produits au-delà de 30 jours à compter de la date d'achat, ou au titre de toute perte ou blessure causée par le produit ou des défauts causés au produit, ceci incluant, sans limitation, les dommages fortuits ou indirects.
 10. La perte de nourriture causée directement par un défaut mécanique d'un produit ou par tout retard dans la fourniture de service, réparation ou remplacement.
 11. Le produit remis à neuf acheté comme produit neuf ou d'occasion.
-

LA PRÉSENTE GARANTIE LIMITÉE REMPLACE TOUTE GARANTIE, EXPRESSE OU IMPLICITE, NOTAMMENT LES GARANTIES DE QUALITÉ MARCHANDE OU D'APTITUDE À UN USAGE PARTICULIER.

Le recours accordé par la présente garantie constitue l'unique recours de l'acheteur. La présente garantie ne couvre pas les dommages fortuits ou indirects. Certains États ne permettent pas l'exclusion des dommages fortuits ou indirects; aussi cette limitation peut ne pas s'appliquer dans votre cas. Certains États ne permettent pas de limitation de la durée d'une garantie implicite; aussi la limitation cidessus peut ne pas s'appliquer dans votre cas. Cette garantie vous confère des droits juridiques spécifiques et vous pouvez également jouir d'autres droits qui peuvent varier d'un État à l'autre.

La présente garantie couvre les appareils vendus aux États-Unis (limites continentales), au Canada et à Puerto Rico.

9/09
Printed in China
Impreso en Chiné
Imprimé au Chine

